

## ALER JQ

PIR motion sensor



|                   |               |                 |              |  |               |               |
|-------------------|---------------|-----------------|--------------|--|---------------|---------------|
| <b>220-240 AC</b> | <b>50/60</b>  | <b>1200</b>     | <b>IP 44</b> |  |               |               |
|                   | <b>max 12</b> | <b>H160/V20</b> | <b>8-7</b>   |  | <b>3-2000</b> | <b>-20÷40</b> |
|                   | <b>1÷2.5</b>  |                 |              |  |               |               |

ALER JQ-30-W

| ALER JQ-30-W <b>00460</b> | 1200 | wall mounted | H160/V20 | 8-7 | PIR |  |
|---------------------------|------|--------------|----------|-----|-----|--|
| ALER JQ-30-B <b>00461</b> | 1200 | wall mounted | H160/V20 | 8-7 | PIR |  |

Kanlux ALER JQ is a motion detector whose maximum detection range comes to 12 metres. You can set adjustments of the lighting time and light intensity level at which the detector works.

- Material: plastic



ALER JQ-30-W

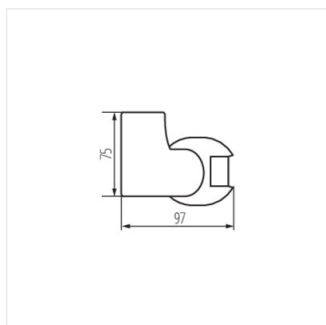


ALER JQ-30-B

## ALER JQ

---

PIR motion sensor



ALER JQ-30