

Kanlux



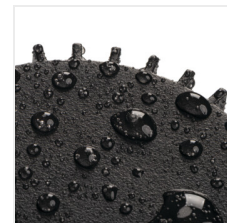
Kanlux RADILO

Kanlux RADILO is a range of garden and façade luminaires, including wall lights with various lighting distributions – single-direction, up-and-down, as well as models with a motion sensor – and bollard lights available in two heights. The aluminium housing and a durable polycarbonate diffuser, combined with an IP44 rating, ensure long-lasting performance in outdoor conditions. The replaceable GU10 light source (max 11W) allows the light colour and output to be tailored to the character of the space.



IP
44

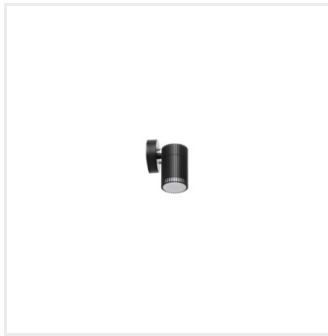
 220-240 AC	 50			IP 44		 -20÷35
	 1÷1.5	 0,2m	CE	EAC	UK CA	



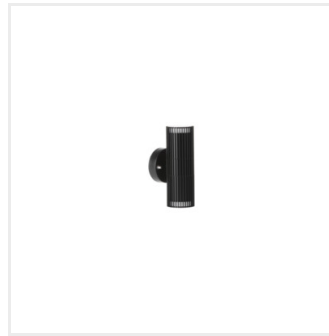
RADILO EL 1X B



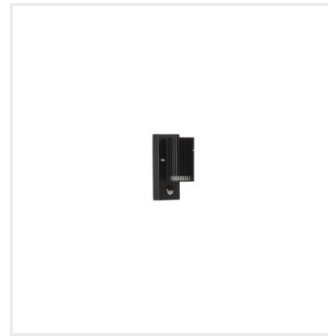
RADILO EL 1X B	46200	max 11	PAR16 LED	GU10	down	black	
RADILO EL 2X B	46201	2 x max 11	PAR16 LED	GU10	up and down	black	
RADILO EL 1X SE B	46202	max 11	PAR16 LED	GU10	down	black	PIR
RADILO EL 2X SE B	46203	2 x max 11	PAR16 LED	GU10	up and down	black	PIR
RADILO 50 B	46204	max 11	PAR16 LED	GU10	down	black	
RADILO 80 B	46205	max 11	PAR16 LED	GU10	down	black	



RADILO EL 1X B



RADILO EL 2X B



RADILO EL 1X SE B



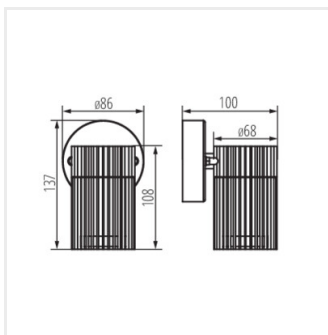
RADILO EL 2X SE B



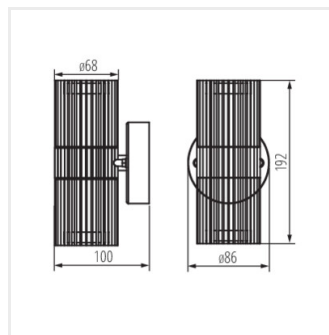
RADILO 50 B



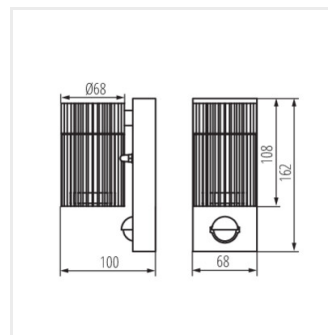
RADILO 80 B



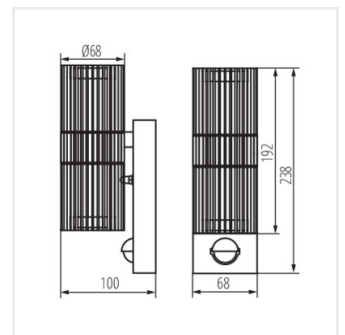
RADILO EL 1X B



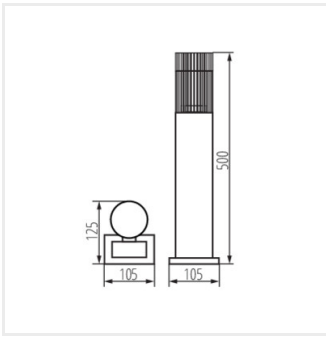
RADILO EL 2X B



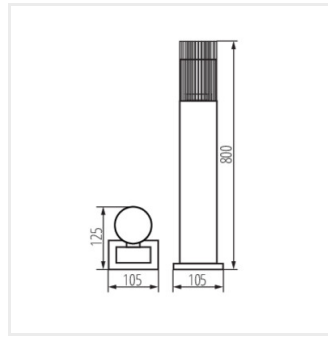
RADILO EL 1X SE B



RADILO EL 2X SE B



RADILO 50 B



RADILO 80 B

Date of issue: 14.04.2026, 08:50

We reserve the right to make technical changes. The data contained in this material are not legally binding.

Photometry: the results obtained from testing were from a specific sample.

Kanlux S.A. ul. Objazdowa 1-3, 41-922 Radzionków, Poland kanlux@kanlux.com

