

# Kanlux



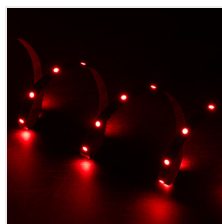
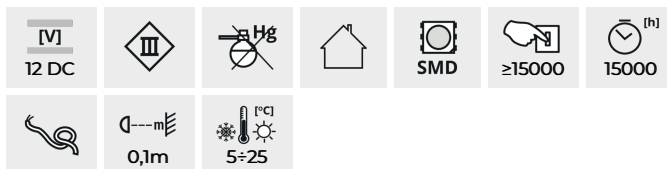
## Kanlux LEDS-B RGB

Kanlux LEDS-B RGB are modern strips of decorative character. Perfect for home use where they can create unique arrangements limited by our imagination only. They are characterised by high flexibility, good adhesion and high durability. Depending on the place in which we want to add more light or which we wish to highlight, we can choose the lighting colour suiting our preferences.

RGB



12V



LEDS-B7,2W/M12IP00RGB



**IP**



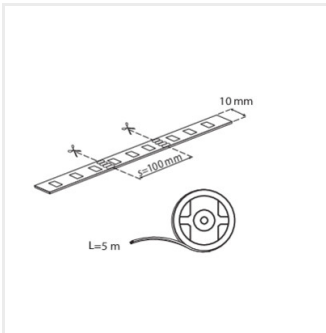
LEDS-B7.2W/M12IP00RGB	<b>46314</b>	1m = max 7,2	1m = max 150	RGB	00	5000
LEDS-B7.2W/M12IP54RGB	<b>46315</b>	1m = max 7,2	1m = max 200	RGB	54	5000



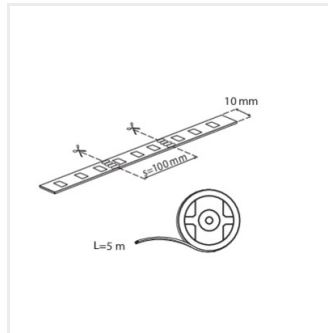
LEDS-B7,2W/M12IP00RGB



LEDS-B7,2W/M12IP54RGB



LEDS-B7,2W/M12IP00RGB



LEDS-B7,2W/M12IP54RGB

## Accessories

**19036** CONNECTOR RGB 10-CP LED band connector, CONNECTOR RGB 10-CP (19036)



**19037** CONNECTOR RGB 10-CPC LED band connector, CONNECTOR RGB 10-CPC (19037)



**19038** CONNECTOR RGB 10 LED band connector, CONNECTOR RGB 10 (19038)



Date of issue: 20.04.2026, 08:15

We reserve the right to make technical changes. The data contained in this material are not legally binding.

Photometry: the results obtained from testing were from a specific sample.

Kanlux S.A. ul. Objazdowa 1-3, 41-922 Radzionków, Poland [kanlux@kanlux.com](mailto:kanlux@kanlux.com)