

Kanlux



Kanlux PRO-SL S ZH

- 5 years Warranty under the terms of the warranty statement, available on our website
- Protective glass material: Tempered glass



 220-240 AC	 50	 ≥30000	 100000	 ellipse ≤ 6x Nachdam	 Ra 70	 SMD
 ♻️	 □	IP 66	 🏠	 -20÷45	IK 08	 🔌
 0.4	 0.75-2.5	 Hg	 Zhaga	 CE	 EAC	 UK CA



PRO-SL S 40W-ZH NW



PRO-SL S 40W-ZH NW	46322	40	7400	4000	X150/Y125	grey
PRO-SL S 60W-ZH NW	46323	60	10800	4000	X150/Y125	grey
PRO-SL S 10W-ZH NW	90957	10	1850	4000	X150/Y125	grey
PRO-SL S 15W-ZH NW	90958	15	2780	4000	X150/Y125	grey
PRO-SL S 20W-ZH NW	90959	20	3700	4000	X150/Y125	grey
PRO-SL S 25W-ZH NW	90960	25	4630	4000	X150/Y125	grey
PRO-SL S 30W-ZH NW	90961	30	5550	4000	X150/Y125	grey
PRO-SL S 35W-ZH NW	90962	35	6480	4000	X150/Y125	grey
PRO-SL S 45W-ZH NW	90964	45	8330	4000	X150/Y125	grey
PRO-SL S 50W-ZH NW	90965	50	9000	4000	X150/Y125	grey
PRO-SL S 55W-ZH NW	90966	55	9900	4000	X150/Y125	grey



PRO-SL S 40W-ZH NW



PRO-SL S 60W-ZH NW



PRO-SL S 10W-ZH NW



PRO-SL S 15W-ZH NW



PRO-SL S 20W-ZH NW



PRO-SL S 25W-ZH NW



PRO-SL S 30W-ZH NW



PRO-SL S 35W-ZH NW



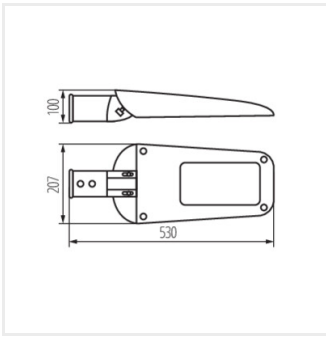
PRO-SL S 45W-ZH NW



PRO-SL S 50W-ZH NW



PRO-SL S 55W-ZH NW



PRO-SL S-ZH

Date of issue: 16.06.2026, 10:25

We reserve the right to make technical changes. The data contained in this material are not legally binding.

Photometry: the results obtained from testing were from a specific sample.

Kanlux S.A. ul. Objazdowa 1-3, 41-922 Radzionków, Poland kanlux@kanlux.com

