

Kanlux



Kanlux PLAVE INB49 CCT

Kanlux PLAVE INB is a modern ceiling light with an integrated fan, combining a minimalist design with high functionality. In this version, the fan blades are concealed and only extend when the fan is switched on, so when not in use for ventilation, the fitting appears as a classic ceiling light. The model offers adjustable colour temperature in the 3000–6500K range (CCT), dimming functionality, a night mode, and convenient remote control operation. In addition, the 5-speed fan control allows you to tailor the airflow to your current needs. PLAVE INB is available with a choice of heights (38 cm or 45.5 cm), and the diameter of the fitting varies depending on the operating mode – from 49 cm (with the fan function switched off) up to 107 cm when the blades are fully extended.

CCT



[V] 220-240 AC	[Hz] 50	≥20000	[h] 20000	Ellipse ≤ 6x MacAdam	Ra 80	Hg
SMD			IP 20		[°C] 5÷25	
	[mm] 1.5	DIMMING function	0,5m		[dB] max 52	[m³/h] 125
[rpm] 228	infrared remote control					



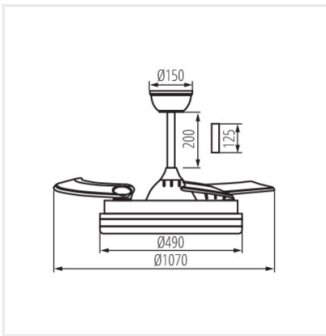
PLAVE INB49 CCT W/SR



PLAVE INB49 CCT W/SR **46372** max 36 1700 (WW) / 2100 (NW) / 1800 (CW) 3000/4000/6500 white / silver



PLAVE INB49 CCT W/SR



PLAVE INB49 CCT W/SR

Date of issue: 06.05.2026, 15:16

We reserve the right to make technical changes. The data contained in this material are not legally binding.

Photometry: the results obtained from testing were from a specific sample.

Kanlux S.A. ul. Objazdowa 1-3, 41-922 Radzionków, Poland kanlux@kanlux.com

EN