

00464 ZONA JQ-37-W

PIR motion sensor



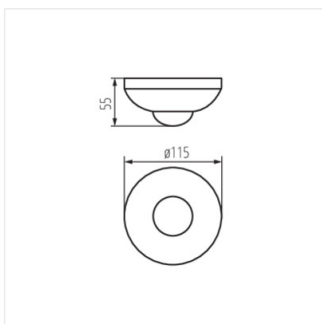
[V] 220-240 AC	[Hz] 50/60	[VA] 1200	IP 20			
F	[m] max 10	[°] H360/V120	[s] - [min] 15-7	PIR	[lx] 3-2000	[°C] -20÷40
	[mm²] 1÷2.5	CE	EAC			



ZONA JQ-37-W **00464** 1200 ceiling mounted H360/V120 15-7 PIR

Kanlux ZONA JQ is a motion detector whose maximum detection range comes to 10 metres. You can set adjustments of the lighting time and light intensity level at which the detector works.

- Maximum movement detection up to 10m
- Maximum horizontal angle of operation of the motion sensor - 360°
- Maximum vertical angle of operation of the motion sensor - 120°
- Light on time adjustable from 15s to 7min
- Capability to set the light intensity of the environment in which the device works
- Material: plastic



ZONA JQ-37-W