

CYKLON

Ducted fan



[V] 220-240 AC	[Hz] 50	IP X4				 2550

CYKLON EOL100



Model	Power [W]	Sound [dB]	Flow [m³/h]	Water Res.	Other	Termination	
CYKLON EOL100	70910	19	38	100	yes	Cable terminated with a plug	
CYKLON EOL100B	70911	19	38	100		Terminal block	
CYKLON EOL120	70915	20	38	150	yes	Cable terminated with a plug	
CYKLON EOL120B	70916	20	38	150		Terminal block	
CYKLON EOL150	70920	22	38	200	yes	Cable terminated with a plug	
CYKLON EOL150B	70921	22	38	200		Terminal block	
CYKLON EOL100HT	70936	19	38	100	yes	yes	Terminal block
CYKLON EOL100P	70937	19	38	100	yes		Terminal block
CYKLON EOL100T	70938	19	38	100		yes	Terminal block
CYKLON EOL120HT	70941	20	38	150	yes	yes	Terminal block
CYKLON EOL120P	70942	20	38	150	yes		Terminal block
CYKLON EOL120T	70943	20	38	150		yes	Terminal block
CYKLON EOL150P	70947	22	38	200	yes		Terminal block
CYKLON EOL150T	70948	22	38	200		yes	Terminal block

Kanlux CYKLON EOL series of fans is available in three sizes with diameter of 100, 120 and 150mm. They are made of plastic, in white colour. Their power is 19, 20 and 22W respectively. The number of rotations from each size comes to 2550/min.

- Rotation speed: 2550/min

CYKLON

Ducted fan



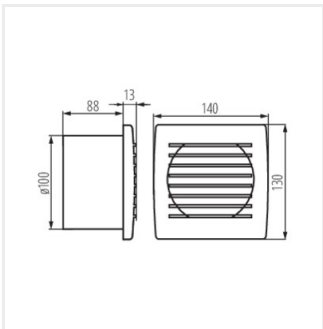
CYKLON EOL100



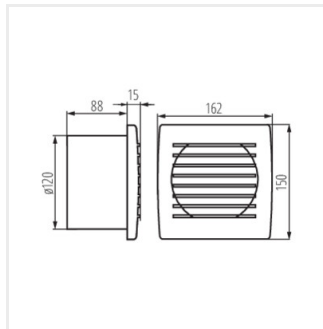
CYKLON EOL120



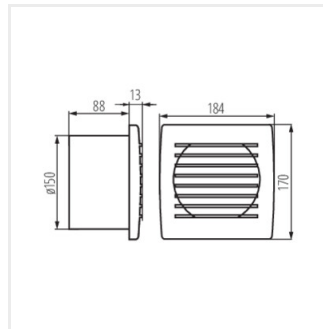
CYKLON EOL150



CYKLON EOL100



CYKLON EOL120



CYKLON EOL150