

In-ground lighting fitting



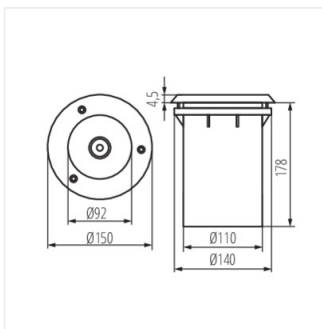
 220-240 AC	 50		IP 67	 0,5m		 -20÷35
 20	IK 10		 0.22	 1		
CE	EAC	UK CA				



XARD DL-40 **07195** max 40 A60 E27 stainless steel

Kanlux XARD ground recessed luminaire is characterised by the highest level of resistance to mechanical damage - the so-called "vandal-resistance" - IK10. Add to this a high rating of tightness (IP67) and we get a luminaire which is a great solution for lighting facades of buildings, squares, terraces, parks, paths, passages, driveways, stairs, etc.

- Junction box included
- total light source length max 110 mm
- Enclosure material: aluminum alloy
- Protective glass material: Tempered glass
- Panel/frame material: stainless steel



XARD DL-40