

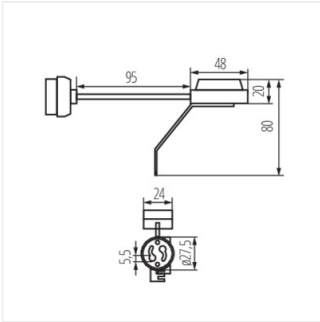


BR-GZ10 **72369** grey

- Maximum permissible holder temperature 250°C for BR-GZ10, HLDR-GZ10, HLDR-R7S, for other models - 180°C
- Maximum permissible current for BR-GZ10, HLDR-GZ10, HLDR-G9 - 2A, for HLDR-R7S - 6A, for HLDR-GX5.3 - 5A
- BR-GZ10 equipped with a support



### Light source fitting



BR-GZ10