

## ROGER DL

In-ground fixture



[V] 220-240 AC	[Hz] 50	[h] 20000			<b>IP</b> 66	 0,1m
	[°C] -20÷35		<b>IK</b> 09	[mm] 0.3	[mm²] 0.75	
<b>CE</b>	<b>EAC</b>	<b>UK</b> <b>CA</b>				



ROGER DL-LED12



	Power [W]	Temp [K]	Color
ROGER DL-LED12	<b>07280</b>	1	6000-6500 grey
ROGER DL-2LED6	<b>07281</b>	1	6000-6500 grey

Kanlux ROGER DL is a ground-recessed luminaire with a built-in LED module. The specific shape of the shade distributes light evenly, which produces a unique light effect. The luminaire has a very high rating of tightness (IP66) and resistance to mechanical damage (IK09).

- Junction box included
- Enclosure material: steel
- Protective glass material: plastic
- Panel/frame material: aluminum alloy

## ROGER DL

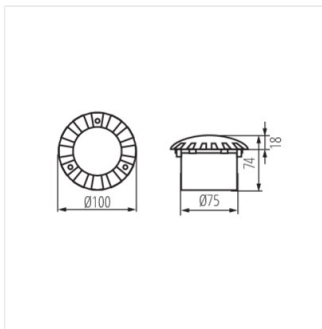
In-ground fixture



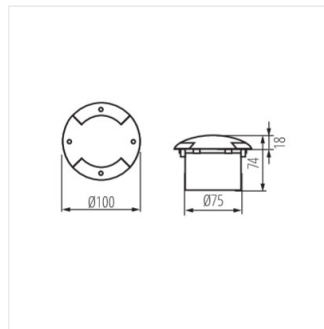
ROGER DL-LED12



ROGER DL-2LED6



ROGER DL-LED12



ROGER DL-2LED6