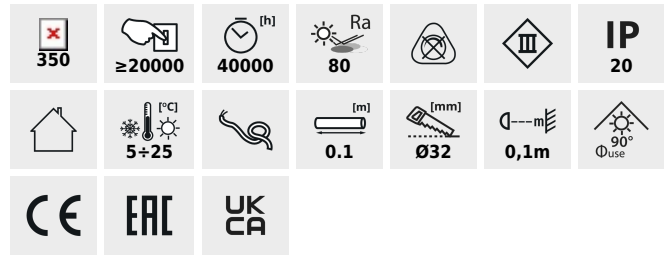


HAXA LED

LED mirror light fitting



HAXA-DSO POWER LED-B

HAXA-DSO POWER LED-B 08103	1.2	aluminium	110	20	3000	F

The wall and ceiling spot-beam holder Kanlux HAXA LED is a small eye to be used as additional lighting.

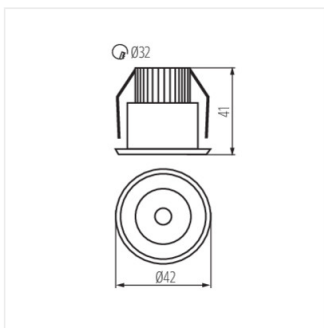
- An electronic 350-mA DC power supply unit is required for proper functioning, e.g. ADI 350 or RICO available from Kanlux
- Enclosure material: aluminum alloy
- Lampshade material: plastic

HAXA LED

LED mirror light fitting



HAXA-DSO POWER LED-B



HAXA-DSO