

SLICK JQ

PIR motion sensor



SLICK JQ-L-W

[V] 220-240 AC	[Hz] 50/60	[VA] 1200	IP 44			
F	[m] max 12	[°] H160/V20	[s]-[min] 8-10	PIR	[lx] 3-2000	[°C] -10÷40
	[mm] 1÷2.5					



SLICK JQ-L-W	08390	1200	wall mounted	H160/V20	8-10	PIR
SLICK JQ-L-B	08391	1200	wall mounted	H160/V20	8-10	PIR

Kanlux SLICK JQ is a motion detector whose maximum detection range comes to 12 metres. You can set adjustments of the lighting time and light intensity level at which the detector works.

- Material: plastic



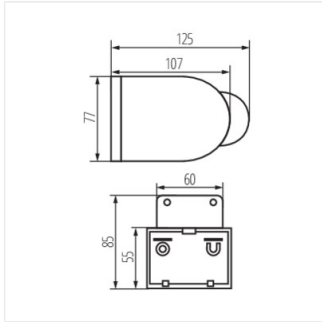
SLICK JQ-L-W



SLICK JQ-L-B

SLICK JQ

PIR motion sensor



SLICK JQ