

J STAR

Halide light source



J-80W 78MM STAR



	Pon [W]	[lm] Φuse	Tc [K]			
J-80W 78MM STAR	08490	80	1380	2700	R7s	G
J-120W 78MM STAR	08491	120	2230	2700	R7s	G
J-120W 118MM STAR	08500	120	2230	2700	R7s	G

The designed halogen bulbs are intended for lamps and halopaks with R7s thread. Available power from 80W to 400W. They are meant for horizontal work.

- 23% more light flux by 20% lower power consumption (compared to F class halogen)
- designed for horizontal operation, allowable deflection of working position +/-4°
- Lampshade material: glass

J STAR

Halide light source



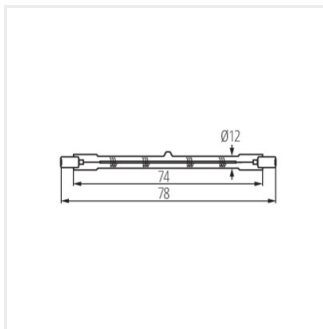
J-80W 78MM STAR



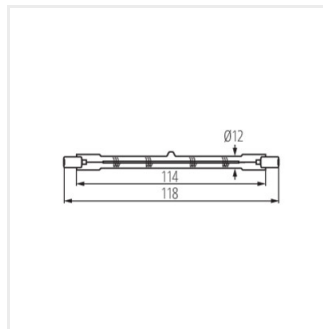
J-120W 78MM STAR



J-120W 118MM STAR



J-80W; 120W 78MM STAR



J-120W; 160W; 230W; 400W
118MM STAR