

Kanlux



Kanlux CON P 12 RGBW

CON P 12 RGBW connectors are designed for 12 V and 24 V Kanlux LCOB RGBW LED strips with a width of 12 mm. They enable quick and easy clamp connections of the strips without the need for soldering. Made of transparent material, they ensure a continuous, uniform line of light, without creating shadows at the strip connection point.

V 12 DC; 24 DC	IP 20	In[A] 3	 10	LED mm 12	 5	CE
ERC	UK CA					



CON P 12 RGBW

CON P 12 RGBW	90720
CON P 12 RGBW CP	90721
CON P 12 RGBW CPC	90722



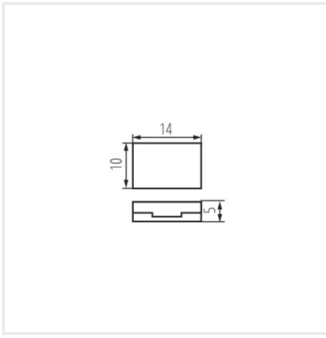
CON P 12 RGBW



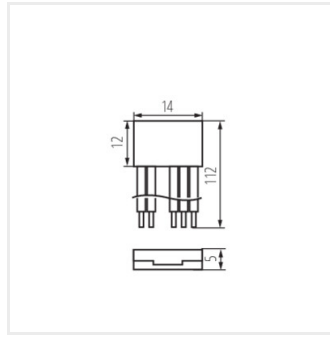
CON P 12 RGBW CP



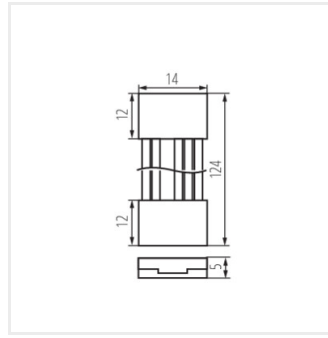
CON P 12 RGBW CPC



CON P 12 RGBW



CON P 12 RGBW CP



CON P 12 RGBW CPC

Date of issue: 11.06.2026, 15:10

We reserve the right to make technical changes. The data contained in this material are not legally binding.

Photometry: the results obtained from testing were from a specific sample.

Kanlux S.A. ul. Objazdowa 1-3, 41-922 Radzionków, Poland kanlux@kanlux.com