



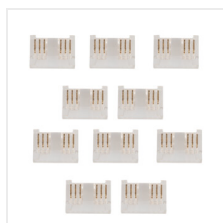


Kanlux

Kanlux CON P 12 RGBCCT

CON P 12 RGBCCT connectors are designed for 12 V and 24 V Kanlux LCOB RGBCCT LED strips with a width of 12 mm. They enable quick and easy clamp connections of the strips without the need for soldering. Made of transparent material, they ensure a continuous, uniform line of light, without creating shadows at the strip connection point.

$[V]$ 12 DC; 24 DC	IP 20	$In[A]$ 3	 10	$\frac{LED}{mm}$ 12	 6	
ERC	UK CA					

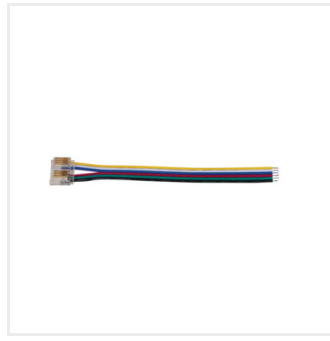


CON P 12 RGBCCT

CON P 12 RGBCCT	90723
CON P 12 RGBCCT CP	90724
CON P 12 RGBCCT CPC	90725



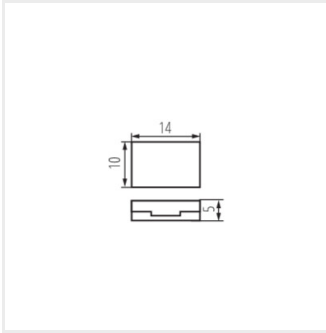
CON P 12 RGBCT



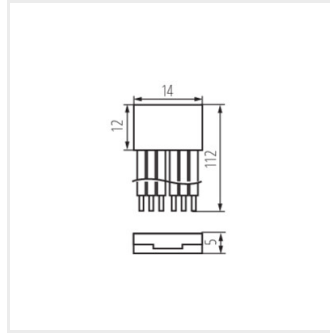
CON P 12 RGBCT CP



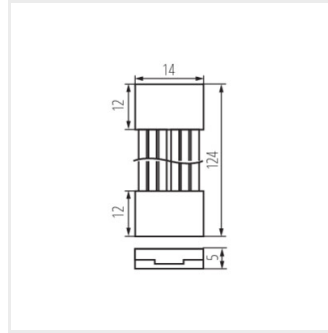
CON P 12 RGBCT CPC



CON P 12 RGBCT



CON P 12 RGBCT CP



CON P 12 RGBCT CPC

Date of issue: 11.06.2026, 15:12

We reserve the right to make technical changes. The data contained in this material are not legally binding.

Photometry: the results obtained from testing were from a specific sample.

Kanlux S.A. ul. Objazdowa 1-3, 41-922 Radzionków, Poland kanlux@kanlux.com