

Kanlux



Kanlux PRO-SL S

- Protective glass material: Tempered glass



 220-240 AC	 50	 ≥30000	 100000	 Ra 70	
				 IK 08	
 0.4	 0.75-2.5				



PRO-SL S 50W NW



PRO-SL S 50W NW	46320	50	8250	4000	X150/Y125	grey
PRO-SL S 10W NW	90940	10	1650	4000	X150/Y125	grey
PRO-SL S 15W NW	90941	15	2480	4000	X150/Y125	grey
PRO-SL S 20W NW	90942	20	3300	4000	X150/Y125	grey
PRO-SL S 25W NW	90943	25	4130	4000	X150/Y125	grey
PRO-SL S 30W NW	90944	30	4950	4000	X150/Y125	grey
PRO-SL S 35W NW	90945	35	5780	4000	X150/Y125	grey
PRO-SL S 40W NW	90946	40	6600	4000	X150/Y125	grey
PRO-SL S 45W NW	90947	45	7430	4000	X150/Y125	grey
PRO-SL S 55W NW	90948	55	9080	4000	X150/Y125	grey



PRO-SL S 50W NW



PRO-SL S 10W NW



PRO-SL S 15W NW



PRO-SL S 20W NW



PRO-SL S 25W NW



PRO-SL S 30W NW



PRO-SL S 35W NW



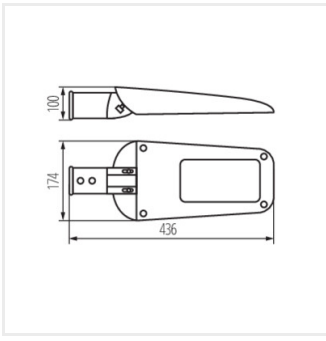
PRO-SL S 40W NW



PRO-SL S 45W NW



PRO-SL S 55W NW



PRO-SL S

Date of issue: 16.06.2026, 10:39

We reserve the right to make technical changes. The data contained in this material are not legally binding.

Photometry: the results obtained from testing were from a specific sample.

Kanlux S.A. ul. Objazdowa 1-3, 41-922 Radzionków, Poland kanlux@kanlux.com

