

Kanlux



Kanlux PRO-SL M

- 5 years Warranty under the terms of the warranty statement, available on our website
- Protective glass material: Tempered glass



[V] 220-240 AC	[Hz] 50	≥ 30000	100000	ellipse $\leq 6x$ Nachdam	Ra 70	SMD
		IP 66		$-20 \div 45$	IK 08	
[m] 0.4	[mm²] 0.75-2.5		CE	EAC	UK CA	



PRO-SL M 100W NW



PRO-SL M 100W NW	46321	100	17000	4000	X150/Y125	grey
PRO-SL M 70W NW	90949	70	11900	4000	X150/Y125	grey
PRO-SL M 75W NW	90950	75	12750	4000	X150/Y125	grey
PRO-SL M 80W NW	90951	80	13600	4000	X150/Y125	grey
PRO-SL M 85W NW	90952	85	14450	4000	X150/Y125	grey
PRO-SL M 90W NW	90953	90	15300	4000	X150/Y125	grey
PRO-SL M 95W NW	90954	95	16150	4000	X150/Y125	grey
PRO-SL M 105W NW	90955	105	17850	4000	X150/Y125	grey
PRO-SL M 110W NW	90956	110	18700	4000	X150/Y125	grey



PRO-SL M 100W NW



PRO-SL M 70W NW



PRO-SL M 75W NW



PRO-SL M 80W NW



PRO-SL M 85W NW



PRO-SL M 90W NW



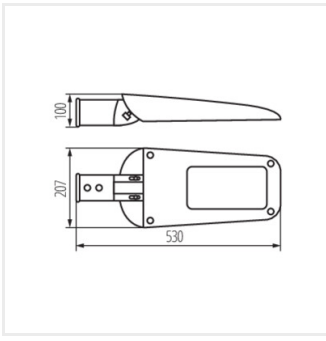
PRO-SL M 95W NW



PRO-SL M 105W NW



PRO-SL M 110W NW



PRO-SL M

Date of issue: 16.06.2026, 11:01

We reserve the right to make technical changes. The data contained in this material are not legally binding.

Photometry: the results obtained from testing were from a specific sample.

Kanlux S.A. ul. Objazdowa 1-3, 41-922 Radzionków, Poland kanlux@kanlux.com

