

HIMA LED

Luminaire de type downlight



[V] 220-240 AC	[Hz] 50	≥ 15000	[h] 30000	ellipse $\leq 6 \times$ MacAdam	Ra 90	COB
		IP 20		[°C] 5÷25		
[°] 45	[°] 350		[mm²] 0,5-0,75	[mm] 175	0,5m	
EAC	UK CA					



HIMA LED 23W-NW-W

	[W]		[lm]	[°]	T _c [K]	
HIMA LED 23W-NW-W	22841	23	blanc	2510	45	4000
HIMA LED 23W-NW-B	22842	23	noir	2510	45	4000
HIMA LED 33W-NW-W	22843	33	blanc	3670	45	4000
HIMA LED 33W-NW-B	22844	33	noir	3670	45	4000

- Matériau du boîtier: alliage en aluminium
- Matériau du diffuseur: verre

HIMA LED

Luminaire de type downlight



HIMA LED 23W-NW-W



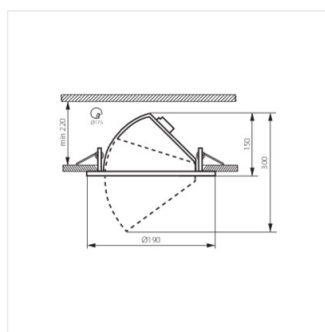
HIMA LED 23W-NW-B



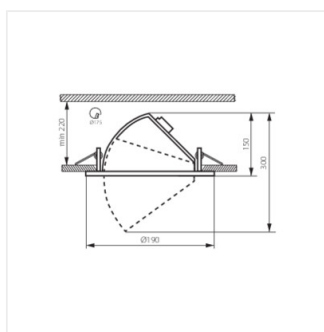
HIMA LED 33W-NW-W



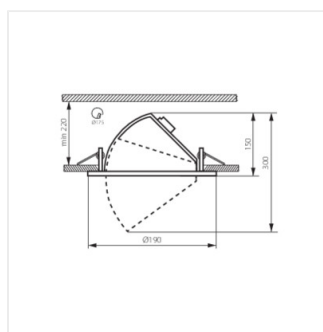
HIMA LED 33W-NW-B



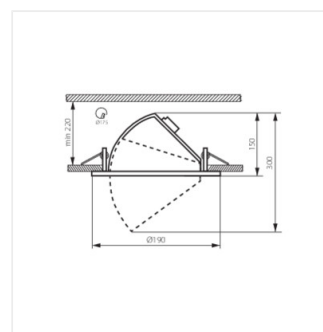
HIMA LED 23W-NW-W



HIMA LED 23W-NW-B



HIMA LED 33W-NW-W



HIMA LED 33W-NW-B