

LOGI 02-1110

Single-pole LED switch



LOGI 02-1110-102 bi



LOGI 02-1110-102 bi	25078	white
LOGI 02-1110-103 kr	25138	Ecru
LOGI 02-1110-143 sr	25197	silver
LOGI 02-1110-141 gr	25256	graphite
LOGI 02-1110-142 cm	33622	black matt

A single-pole light switch is used to control the circuit of one lamp or a group of lamps from one place. The switch has LED backlight.

- Plastic: ABS

LOGI 02-1110

Single-pole LED switch



LOGI 02-1110-102 bi



LOGI 02-1110-103 kr



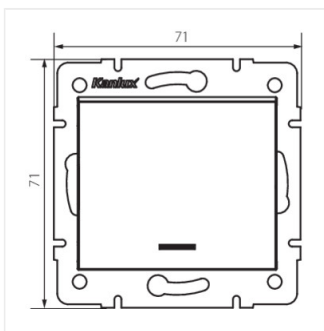
LOGI 02-1110-143 sr



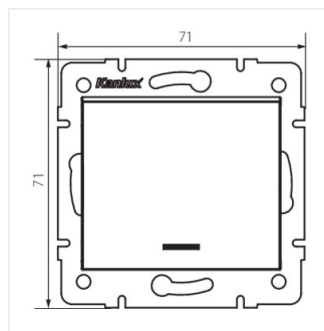
LOGI 02-1110-141 gr



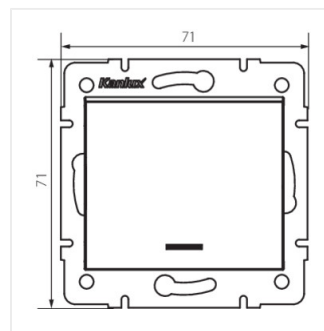
LOGI 02-1110-142 cm



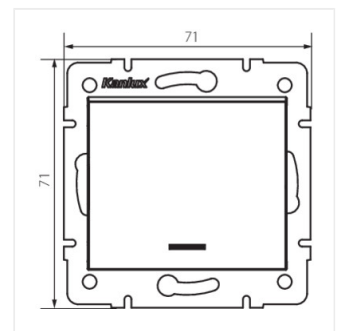
LOGI 02-1110-102 bi



LOGI 02-1110-103 kr



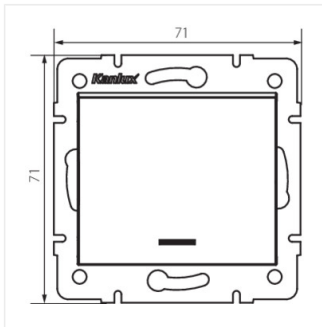
LOGI 02-1110-143 sr



LOGI 02-1110-141 gr

LOGI 02-1110

Single-pole LED switch



LOGI 02-1110-142 cm