

LOGI 02-1100

Shutter Switch



LOGI 02-1100-102 bi



LOGI 02-1100-102 bi	25077	white
LOGI 02-1100-103 kr	25137	Ecru
LOGI 02-1100-143 sr	25196	silver
LOGI 02-1100-141 gr	25255	graphite
LOGI 02-1100-142 cm	33626	black matt

A roller blind switch is used to control power supply systems of external roller blinds. The switch comes with two buttons for moving roller blinds up and down. The switch has a system that makes it impossible to press both buttons at the same time. A bistable switch maintains the position, i.e. it does not go back to the previous position after pressing.

- Plastic: ABS

LOGI 02-1100

Shutter Switch



LOGI 02-1100-102 bi



LOGI 02-1100-103 kr



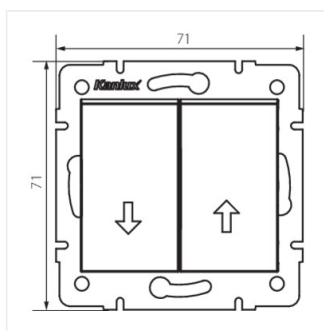
LOGI 02-1100-143 sr



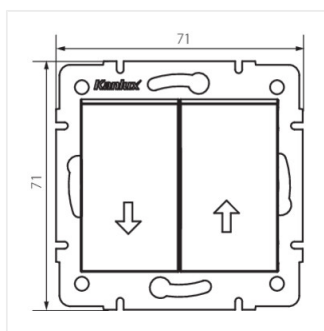
LOGI 02-1100-141 gr



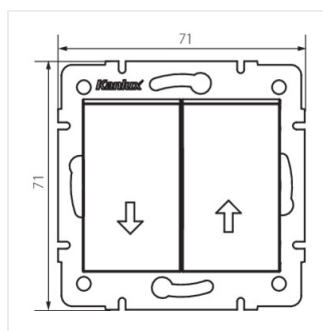
LOGI 02-1100-142 cm



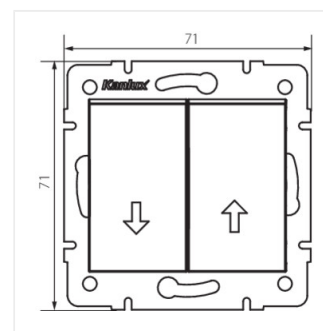
LOGI 02-1100-102 bi



LOGI 02-1100-103 kr



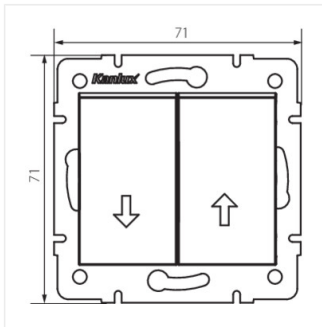
LOGI 02-1100-143 sr



LOGI 02-1100-141 gr

LOGI 02-1100

Shutter Switch



LOGI 02-1100-142 cm