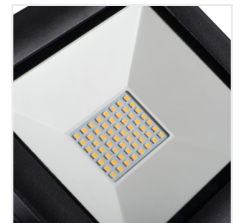
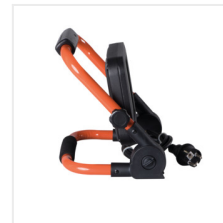


STATO LED

Projecteur LED



 [V] 220-240 AC	 [Hz] 50	 120° Φ _{use}	 120	 ≥15000	 [h] 25000	 ellipso ≤ 6x Mackdam
 Ra 80	 SMD	 IK 07	 ⊥	 IP 65	 [°C] -20÷35	
 Hg	 CE	 EAC	 UK CA	 [m] 2	 [mm] 1	 1m



	 PON [W]	 [lm]	 [lm] Φ _{use}	 T _c [K]	 noir	 Ei [A] [G]
STATO N LED 30W-B	29222	30	3150	2770	4000	F
STATO N LED 50W-B	29223	50	5250	4430	4000	F

- Matériau du boîtier: alliage en aluminium
- Matériau vitre de protection: verre trempé
- Matériau du support: acier



STATO LED

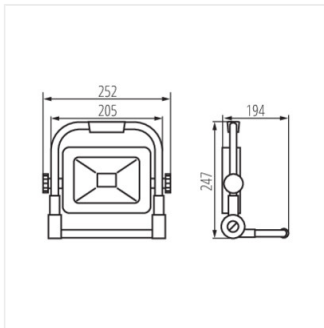
Projecteur LED



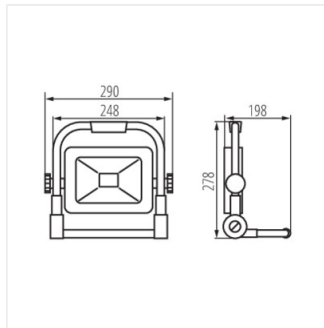
STATO N LED 30W-B



STATO N LED 50W-B



STATO N LED 30W-B



STATO N LED 50W-B