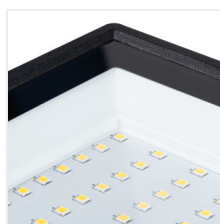


GRUN NV

Projecteur LED



[V] 220-240 AC	[Hz] 50	 120° Φ _{use}	[°] 110	 ≥30000	[h] 25000	 ellipse ≤ 6x Nachdam
 Ra 70	 SMD				 -15÷35	
[°] 130	[m] 0,15	[mm²] 1	0,5m		CE	EAC
UK CA						



GRUN NV LED-10-B

	[W]	[lm]	[lm] Φ _{use}	T _c [K]	IP	noir	SENSOR	EI
GRUN NV LED-10-B	31390	10	800	750	4000	65	noir	F
GRUN NV LED-20-B	31391	20	1700	1620	4000	65	noir	F
GRUN NV LED-30-B	31392	30	2650	2500	4000	65	noir	F
GRUN NV LED-50-B	31393	50	4500	4260	4000	65	noir	F
GRUN NV LED-100-B	31394	100	9500	8670	4000	65	noir	F
GRUN NV LED-150-B	31395	150	14250	13090	4000	65	noir	F
GRUN NV LED-200-B	31396	200	19000	17500	4000	65	noir	F
GRUN NV LED-10-B-SE	31397	10	800	750	4000	44	noir	PIR F
GRUN NV LED-20-B-SE	31398	20	1700	1620	4000	44	noir	PIR F
GRUN NV LED-30-B-SE	31399	30	2650	2500	4000	44	noir	PIR F
GRUN NV LED-50-B-SE	31400	50	4500	4260	4000	44	noir	PIR F

- Matériau du boîtier: alliage en aluminium
- Matériau du diffuseur: verre trempé

GRUN NV

Projecteur LED



GRUN NV LED-10-B



GRUN NV LED-20-B



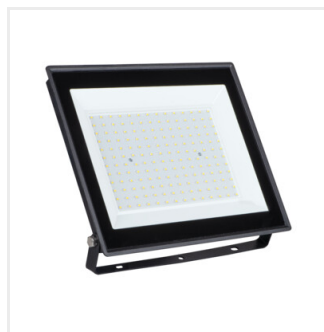
GRUN NV LED-30-B



GRUN NV LED-50-B



GRUN NV LED-100-B



GRUN NV LED-150-B



GRUN NV LED-200-B



GRUN NV LED-10-B-SE



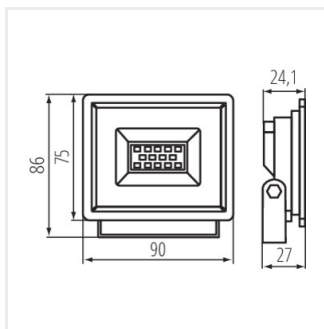
GRUN NV LED-20-B-SE



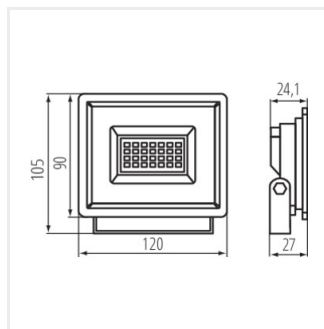
GRUN NV LED-30-B-SE



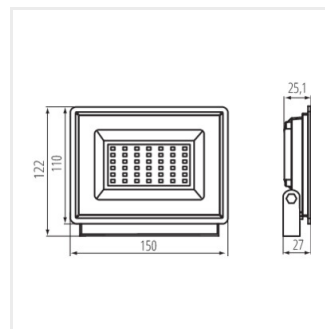
GRUN NV LED-50-B-SE



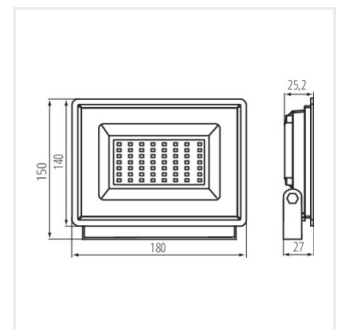
GRUN NV LED-10-B



GRUN NV LED-20-B



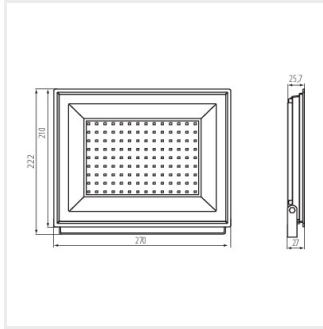
GRUN NV LED-30-B



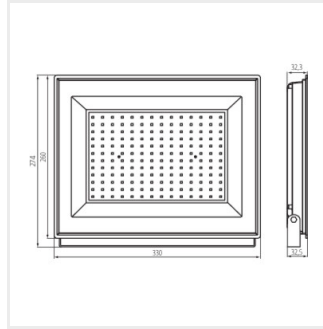
GRUN NV LED-50-B

GRUN NV

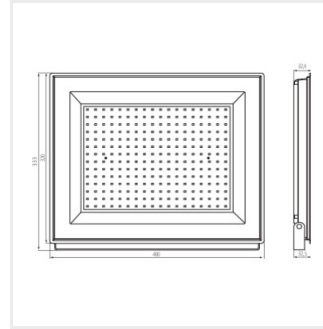
Projecteur LED



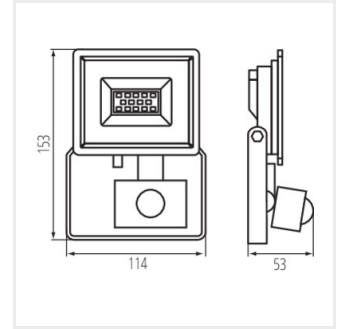
GRUN NV LED-100-B



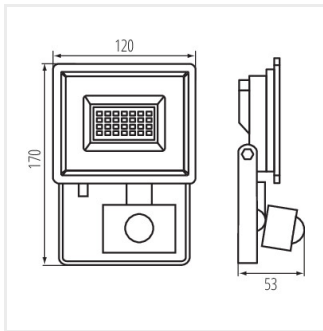
GRUN NV LED-150-B



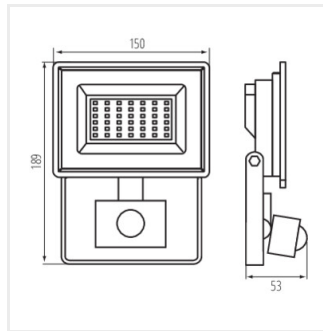
GRUN NV LED-200-B



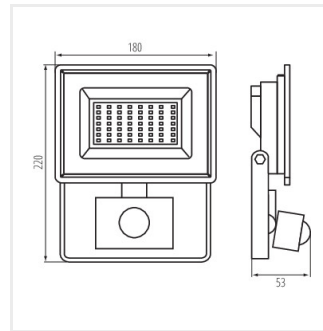
GRUN NV LED-10-B-SE



GRUN NV LED-20-B-SE



GRUN NV LED-30-B-SE



GRUN NV LED-50-B-SE