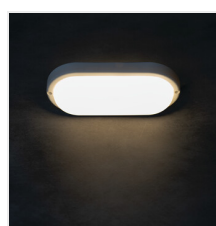


TOLU LED

Hublots



[V] 220-240 AC	[Hz] 50	[°] 120	 ≥15000	[h] 20000	ellipse ≤ 6x Mackdam	Ra 80
 Hg	SMD			IP 54		°C -20÷40
		[mm²] 0,5-2,5	0,5m	CE	EAC	UK CA



TOLU C LED 6W-NW-W



	[W]	[lm]	Tc [K]	
TOLU C LED 6W-NW-W	31495	6	420	4000 blanc
TOLU C LED 12W-NW-W	31496	12	1050	4000 blanc
TOLU O LED 9W-NW-W	31497	9	720	4000 blanc
TOLU O LED 18W-NW-W	31498	18	1620	4000 blanc

- Matériau du boîtier: matériau plastique
- Matériau du diffuseur: matériau plastique



TOLU C LED 6W-NW-W



TOLU C LED 12W-NW-W



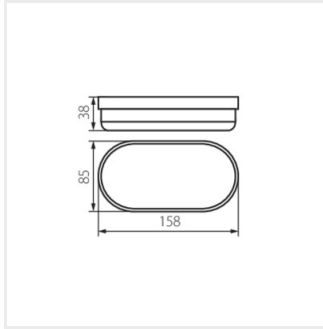
TOLU O LED 9W-NW-W



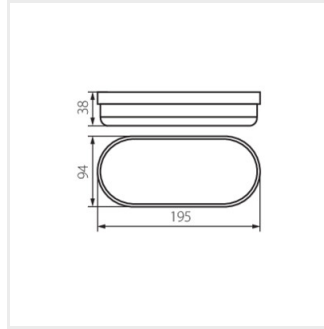
TOLU O LED 18W-NW-W

TOLU LED

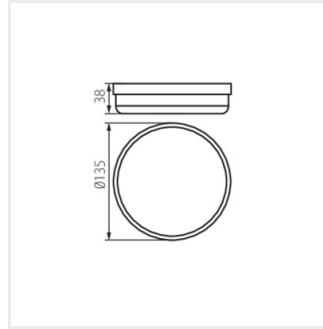
Hublots



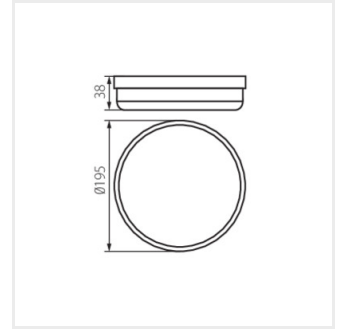
TOLU C LED 6W-NW-W



TOLU C LED 12W-NW-W



TOLU O LED 9W-NW-W



TOLU O LED 18W-NW-W