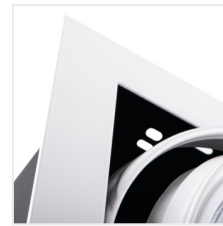


## MATEO ES

Luminaire de type downlight



|                          |                   |                  |           |  |                 |          |
|--------------------------|-------------------|------------------|-----------|--|-----------------|----------|
| <b>[V]</b><br>220-240 AC | <b>[Hz]</b><br>50 | <br>ES-111       | <br>GU10  |  | <b>IP</b><br>20 |          |
| <br>5÷25                 |                   |                  | <br>65/35 |  | <br>1,5         | <br>0,5m |
| <b>CE</b>                | <b>EAC</b>        | <b>UK<br/>CA</b> |           |  |                 |          |

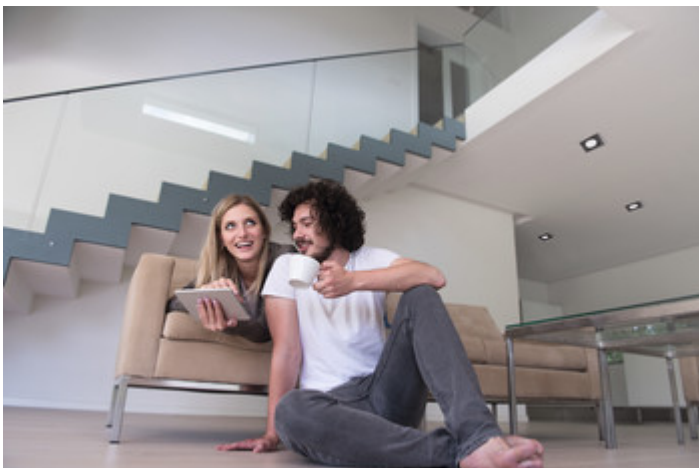


MATEO ES DLP-150-B



|                    |              |            |       |
|--------------------|--------------|------------|-------|
| MATEO ES DLP-150-B | <b>32930</b> | max 25     | noir  |
| MATEO ES DLP-150-W | <b>32931</b> | max 25     | blanc |
| MATEO ES DLP-250-B | <b>32932</b> | 2 x max 25 | noir  |
| MATEO ES DLP-250-W | <b>32933</b> | 2 x max 25 | blanc |

- Matériau du boîtier: alliage en aluminium



## MATEO ES

Luminaire de type downlight



MATEO ES DLP-150-B



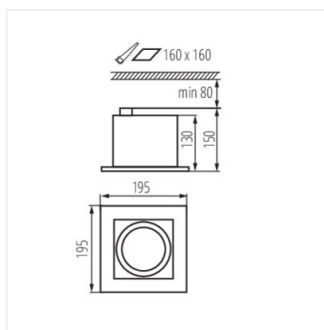
MATEO ES DLP-150-W



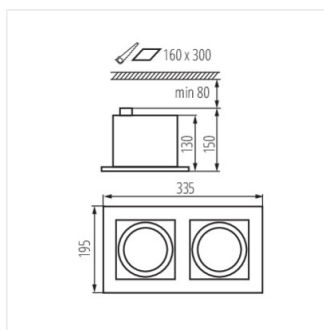
MATEO ES DLP-250-B



MATEO ES DLP-250-W



MATEO ES DLP-150



MATEO ES DLP-250