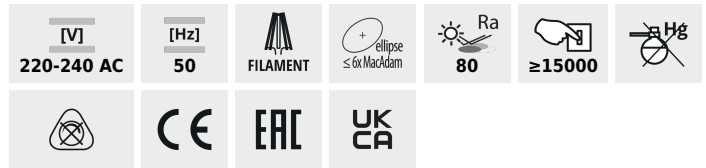


XLED A60 B22 M

Source lumineuse LED



XLED A60 B22 7W-WW-M

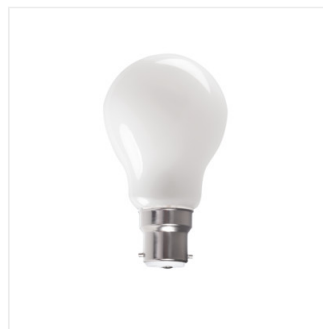


	[W]	[W]	Φ _{use}	T _c [K]	[°]	[h]	Ei [A]
XLED A60 B22 7W-WW-M	33102	7	60	810	2700	320	B22 15000 E
XLED A60 B22 7W-CW-M	33103	7	60	810	6500	320	B22 15000 E
XLED A60 B22 10W-WW-M	33108	10	99	1520	2700	320	B22 10000 D
XLED A60 B22 10W-CW-M	33109	10	99	1520	6500	320	B22 10000 D

- Matériau du diffuseur: verre



XLED A60 B22 7W-WW-M



XLED A60 B22 7W-CW-M



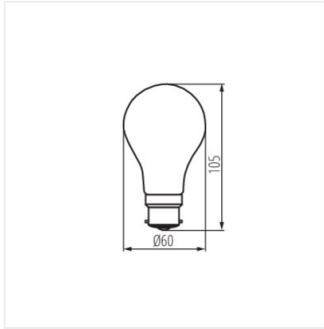
XLED A60 B22 10W-WW-M



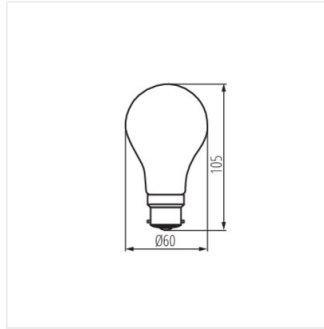
XLED A60 B22 10W-CW-M

XLED A60 B22 M

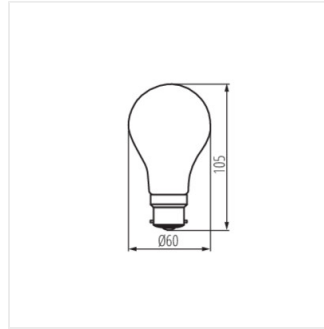
Source lumineuse LED



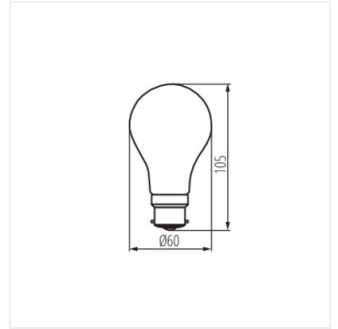
XLED A60 B22 7W-WW-M



XLED A60 B22 7W-CW-M



XLED A60 B22 10W-WW-M



XLED A60 B22 10W-CW-M