

T8 LED GLASSv4

Source lumineuse LED



up to
160 lm/W



[V] 220-240 AC	[Hz] 50	T8 LED	SMD	360° Φuse	Ellipse ≤ 6x MacAdam	Ra 80
≥30000	30000 [h]	Hg			ONE SIDE INPUT	°C -10÷40
CE	EAC	UK CA				



T8 LED GLASSv4 9W-NW



	PON [W]	[lm] Φuse	Tc [K]	Beam angle [°]	G13	Eii AG
T8 LED GLASSv4 9W-NW	33210	9	1440	4000	220	G13 C
T8 LED GLASSv4 9W-CW	33211	9	1440	6500	220	G13 C
T8 LED GLASSv4 18W-NW	33212	18	2880	4000	220	G13 C
T8 LED GLASSv4 18W-CW	33213	18	2880	6500	220	G13 C
T8 LED GLASSv4 24W-NW	33214	24	3840	4000	220	G13 C
T8 LED GLASSv4 24W-CW	33215	24	3840	6500	220	G13 C
T8 LED GLASSv4 22W-CW	33219	22	3520	6500	220	G13 C

- Tube LED alimenté par une seule extrémité
- Une garantie de 3 ans accordée conformément aux termes de la déclaration de garantie disponible sur le site d'Internet
- Matériau du diffuseur: verre

T8 LED GLASSv4

Source lumineuse LED



T8 LED GLASSv4 9W-NW



T8 LED GLASSv4 9W-CW



T8 LED GLASSv4 18W-NW



T8 LED GLASSv4 18W-CW



T8 LED GLASSv4 24W-NW



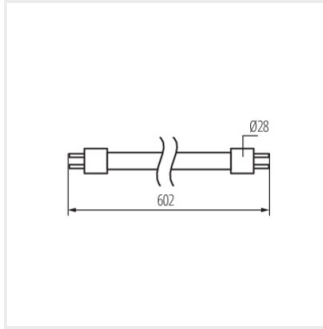
T8 LED GLASSv4 24W-CW



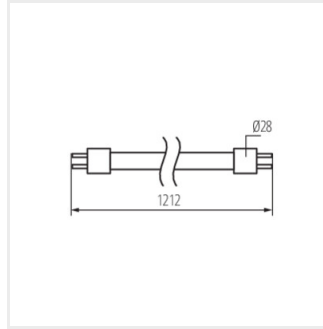
T8 LED GLASSv4 22W-CW

T8 LED GLASSv4

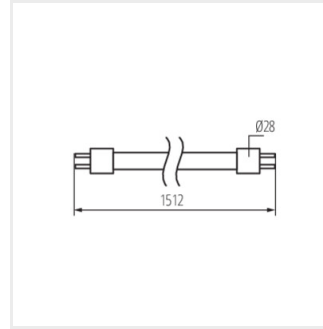
Source lumineuse LED



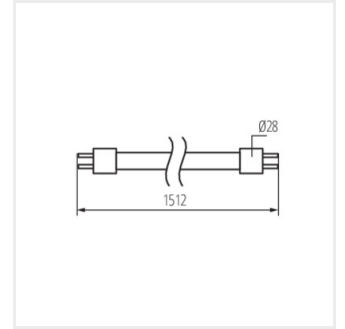
T8 LED GLASSv4 9W



T8 LED GLASSv4 18W



T8 LED GLASSv4 24W



T8 LED GLASSv4 22W

Accessoires

26069

T8 LED STARTER Replacement LED light switch
(26069)

