





## BL ADTR

Cadre de fixation saillie pour



ADTR-S-H 6060 W

		 [mm]	 [mm]	 [mm]	
ADTR-S-H 6060 W	<b>27617</b>	600	600	65	blanc
ADTR-H 6060 W	<b>29843</b>	600	600	65	blanc
ADTR-H 6060 SR	<b>29844</b>	600	600	65	argent
ADTR-H 6060 B	<b>29845</b>	600	600	65	noir
ADTR-H 12030 W	<b>33390</b>	1200	300	65	blanc
ADTR-H 12030 B	<b>33391</b>	1200	300	65	noir
ADTR-H 12030 SR	<b>33392</b>	1200	300	65	argent
ADTR-H 3060 W	<b>33393</b>	600	300	65	blanc
ADTR-H 76MM 6060 B	<b>33396</b>	600	600	76	noir
ADTR-H 76MM 6060 SR	<b>33397</b>	600	600	76	argent
ADTR-H 76MM 6060 W	<b>33398</b>	600	600	76	blanc
ADTR-H 76MM 12030 W	<b>33427</b>	1200	300	76	blanc

- Matériau: acier

## BL ADTR

Cadre de fixation saillie pour



ADTR-S-H 6060 W



ADTR-H 6060 W



ADTR-H 6060 SR



ADTR-H 6060 B



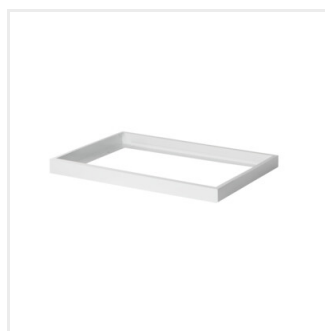
ADTR-H 12030 W



ADTR-H 12030 B



ADTR-H 12030 SR



ADTR-H 3060 W



ADTR-H 76MM 6060 B



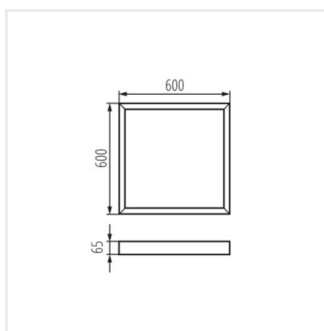
ADTR-H 76MM 6060 SR



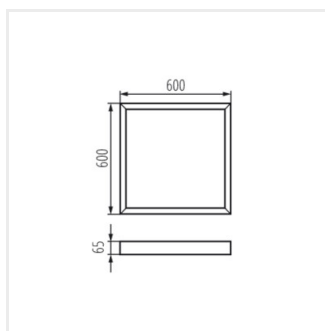
ADTR-H 76MM 6060 W



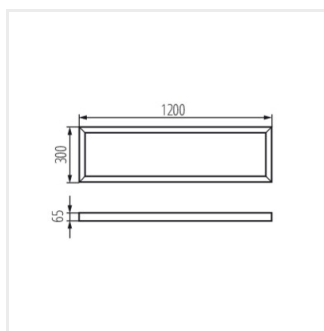
ADTR-H 76MM 12030 W



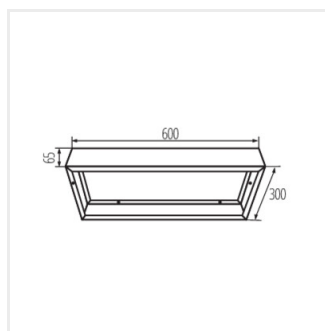
ADTR-S-H 6060 W



ADTR-H 6060



ADTR-H 12030

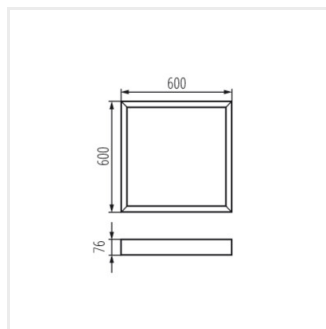


ADTR-H 3060 W

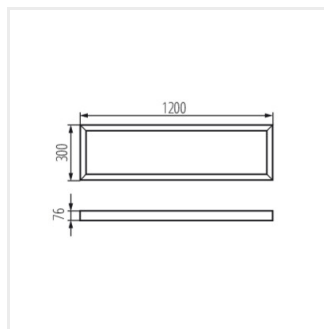
## BL ADTR

---

Cadre de fixation saillie pour



ADTR-H 76MM 6060



ADTR-H 76MM 12030 W