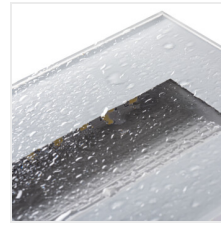
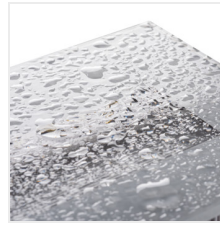


GLASI LED

Luminaire encastrable



[V] 220-240 AC	[Hz] 50	[°] 120	 15000	[h] 30000	ellipse ≤ 6x MacAdam	Ra 80
SMD				IP 44	0,1m	
[°C] -10 : 35		[mm] 96x61				



GLASI LED 3W P WW-W



	[W]	[lm]	Tc [K]	
GLASI LED 3W P WW-W	33690	3	130	3000 blanc
GLASI LED 3W P WW-B	33691	3	130	3000 noir
GLASI LED 3W P WW-GR	33692	3	130	3000 graphite
GLASI LED 3W P NW-W	33693	3	140	4000 blanc
GLASI LED 3W P NW-B	33694	3	140	4000 noir
GLASI LED 3W P NW-GR	33695	3	140	4000 graphite

- la boîte de jonction incluse
- Matériau du boîtier: alliage en aluminium
- Matériau vitre de protection: verre
- Matériau du panneau/cadre: PC

GLASI LED

Luminaire encastrable



GLASI LED 3W P WW-W



GLASI LED 3W P WW-B



GLASI LED 3W P WW-GR



GLASI LED 3W P NW-W



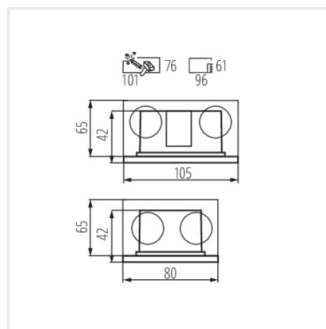
GLASI LED 3W P NW-B



GLASI LED 3W P NW-GR

GLASI LED

Luminaire encastrable



GLASI LED 3W P