

## AL-ML-PT

### Luminaire profilés linéaire LED



|                                   |                   |                 |              |                              |           |            |
|-----------------------------------|-------------------|-----------------|--------------|------------------------------|-----------|------------|
| <b>[V]</b><br>220-240 AC          | <b>[Hz]</b><br>50 | $\geq 30000$    | <b>50000</b> | ellipse<br>$\leq 3x$ MacAdam | <b>80</b> | <b>SMD</b> |
|                                   |                   | <b>IP</b><br>20 |              | $5 \div 25$ °C               |           |            |
| $1,5 \div 2,5$ [mm <sup>2</sup> ] |                   | <b>0,5m</b>     |              |                              |           |            |



### AL-ML-NW-MAT-W-PT

|                                | [W] | Tc [K] | TYPE             | [°]     |        | [m]  | [mm] |
|--------------------------------|-----|--------|------------------|---------|--------|------|------|
| AL-ML-NW-MAT-W-PT <b>34008</b> | 25  | 4000   | mat              | X85/Y95 | blanc  | 3250 | 1150 |
| AL-ML-WW-MAT-W-PT <b>34010</b> | 25  | 3000   | mat              | X85/Y95 | blanc  | 2980 | 1150 |
| AL-ML-NW-MPR-W-PT <b>34012</b> | 25  | 4000   | microprismatique | X75/Y90 | blanc  | 3000 | 1150 |
| AL-ML-WW-MPR-W-PT <b>34014</b> | 25  | 3000   | microprismatique | X75/Y90 | blanc  | 2750 | 1150 |
| AL-ML-NW-MAT-B-PT <b>34020</b> | 25  | 4000   | mat              | X85/Y95 | noir   | 3250 | 1150 |
| AL-ML-WW-MAT-B-PT <b>34022</b> | 25  | 3000   | mat              | X85/Y95 | noir   | 2980 | 1150 |
| AL-ML-NW-MPR-B-PT <b>34024</b> | 25  | 4000   | microprismatique | X75/Y90 | noir   | 3000 | 1150 |
| AL-ML-WW-MPR-B-PT <b>34026</b> | 25  | 3000   | microprismatique | X75/Y90 | noir   | 2750 | 1150 |
| AL-ML-NW-MAT-S-PT <b>34032</b> | 25  | 4000   | mat              | X85/Y95 | argent | 3250 | 1150 |
| AL-ML-WW-MAT-S-PT <b>34034</b> | 25  | 3000   | mat              | X85/Y95 | argent | 2980 | 1150 |
| AL-ML-NW-MPR-S-PT <b>34036</b> | 25  | 4000   | microprismatique | X75/Y90 | argent | 3000 | 1150 |
| AL-ML-WW-MPR-S-PT <b>34038</b> | 25  | 3000   | microprismatique | X75/Y90 | argent | 2750 | 1150 |

- Une garantie de 5 ans accordée conformément aux termes de la déclaration de garantie disponible sur le site d'Internet
- Matériau du boîtier: acier
- Matériau du diffuseur: matériau plastique

## AL-ML-PT

### Luminaire profilés linéaire LED



AL-ML-NW-MAT-W-PT



AL-ML-WW-MAT-W-PT



AL-ML-NW-MPR-W-PT



AL-ML-WW-MPR-W-PT



AL-ML-NW-MAT-B-PT



AL-ML-WW-MAT-B-PT



AL-ML-NW-MPR-B-PT



AL-ML-WW-MPR-B-PT



AL-ML-NW-MAT-S-PT



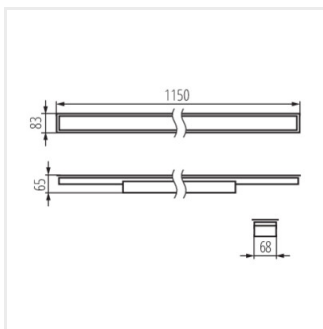
AL-ML-WW-MAT-S-PT



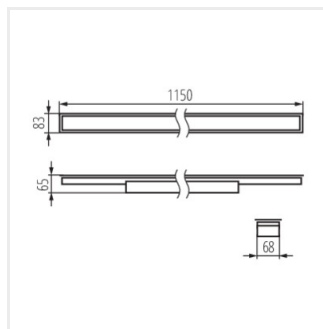
AL-ML-NW-MPR-S-PT



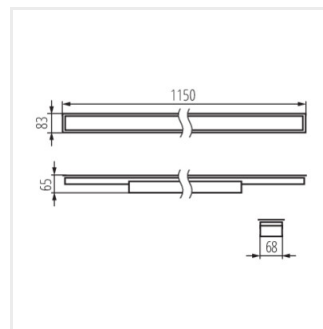
AL-ML-WW-MPR-S-PT



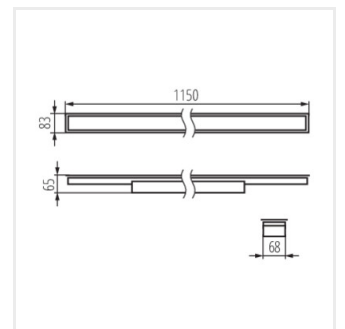
AL-ML-NW-MAT-W-PT



AL-ML-WW-MAT-W-PT



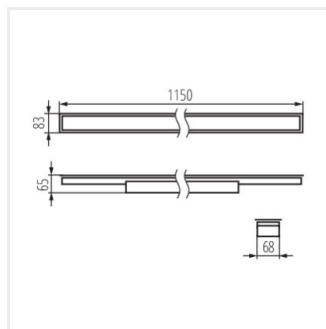
AL-ML-NW-MPR-W-PT



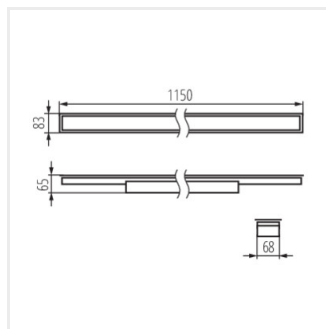
AL-ML-WW-MPR-W-PT

## AL-ML-PT

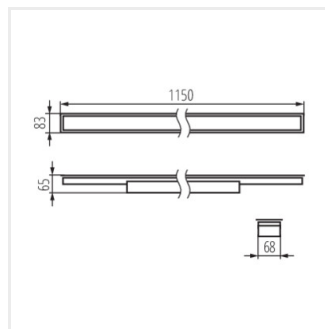
### Luminaire profilés linéaire LED



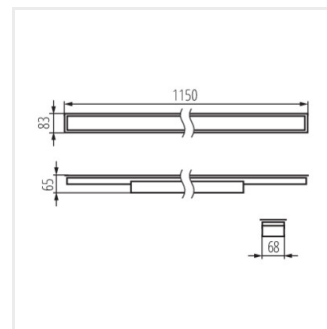
AL-ML-NW-MAT-B-PT



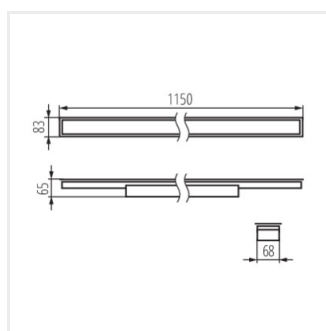
AL-ML-WW-MAT-B-PT



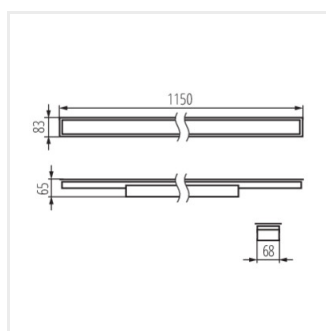
AL-ML-NW-MPR-B-PT



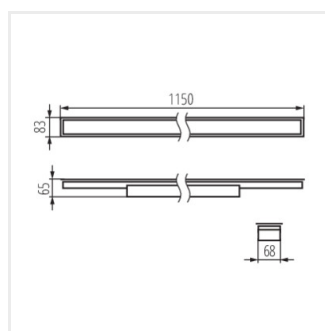
AL-ML-WW-MPR-B-PT



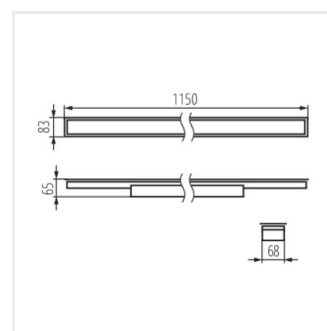
AL-ML-NW-MAT-S-PT



AL-ML-WW-MAT-S-PT



AL-ML-NW-MPR-S-PT



AL-ML-WW-MPR-S-PT

