

AL-LH-PT

Luminaire profilés linéaire LED



[V] 220-240 AC	[Hz] 50	≥30000	[h] 50000	ellipse ≤3x Macadam	Ra 80	SMD
		IP 20		[°C] 5÷25		
[mm²] 1,5÷2,5		0,5m				



AL-LH-NW-MAT-W-PT

	[W]	Tc [K]		[°]		[lm]	[mm]
AL-LH-NW-MAT-W-PT	34117	52	4000	mat	X85/Y95	blanc	6300 1710
AL-LH-WW-MAT-W-PT	34119	52	3000	mat	X85/Y95	blanc	5600 1710
AL-LH-NW-MPR-W-PT	34121	52	4000	microprismatique	X75/Y90	blanc	5800 1710
AL-LH-WW-MPR-W-PT	34123	52	3000	microprismatique	X75/Y90	blanc	5150 1710
AL-LH-NW-MAT-B-PT	34129	52	4000	mat	X85/Y95	noir	6300 1710
AL-LH-WW-MAT-B-PT	34131	52	3000	mat	X85/Y95	noir	5600 1710
AL-LH-NW-MPR-B-PT	34133	52	4000	microprismatique	X75/Y90	noir	5800 1710
AL-LH-WW-MPR-B-PT	34135	52	3000	microprismatique	X75/Y90	noir	5150 1710
AL-LH-NW-MAT-S-PT	34141	52	4000	mat	X85/Y95	argent	6300 1710
AL-LH-WW-MAT-S-PT	34143	52	3000	mat	X85/Y95	argent	5600 1710
AL-LH-NW-MPR-S-PT	34145	52	4000	microprismatique	X75/Y90	argent	5800 1710
AL-LH-WW-MPR-S-PT	34147	52	3000	microprismatique	X75/Y90	argent	5150 1710

- Une garantie de 5 ans accordée conformément aux termes de la déclaration de garantie disponible sur le site d'Internet
- Matériau du boîtier: acier
- Matériau du diffuseur: matériau plastique

AL-LH-PT

Luminaire profilés linéaire LED



AL-LH-NW-MAT-W-PT



AL-LH-WW-MAT-W-PT



AL-LH-NW-MPR-W-PT



AL-LH-WW-MPR-W-PT



AL-LH-NW-MAT-B-PT



AL-LH-WW-MAT-B-PT



AL-LH-NW-MPR-B-PT



AL-LH-WW-MPR-B-PT

AL-LH-PT

Luminaire profilés linéaire LED



AL-LH-NW-MAT-S-PT



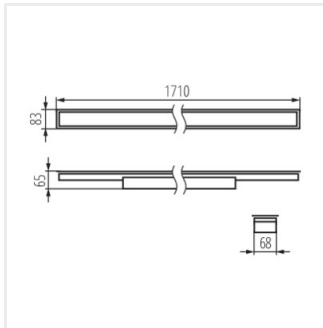
AL-LH-WW-MAT-S-PT



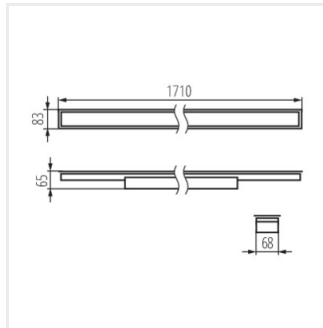
AL-LH-NW-MPR-S-PT



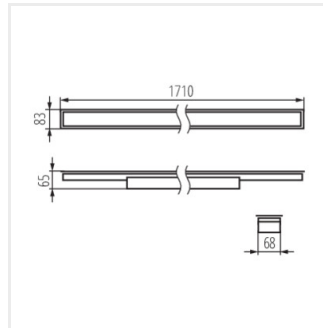
AL-LH-WW-MPR-S-PT



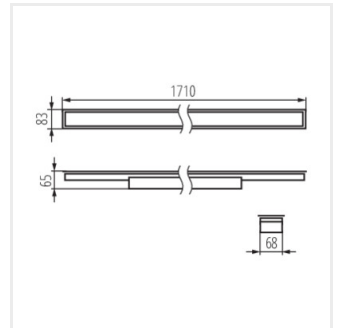
AL-LH-NW-MAT-W-PT



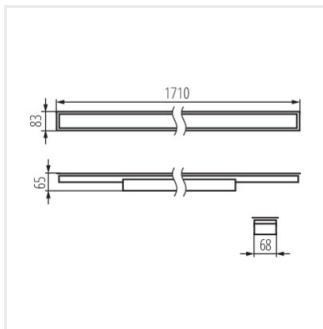
AL-LH-WW-MAT-W-PT



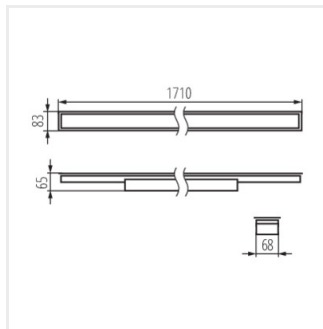
AL-LH-NW-MPR-W-PT



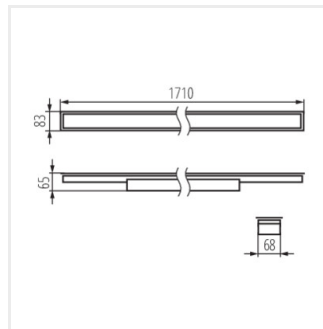
AL-LH-WW-MPR-W-PT



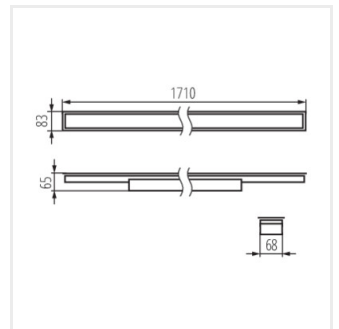
AL-LH-NW-MAT-B-PT



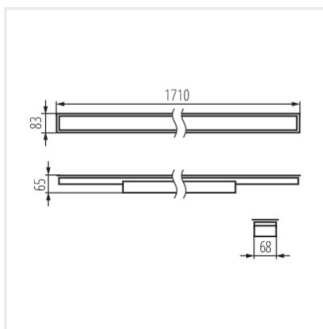
AL-LH-WW-MAT-B-PT



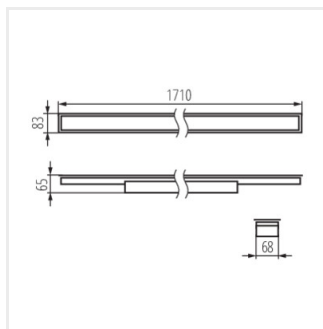
AL-LH-NW-MPR-B-PT



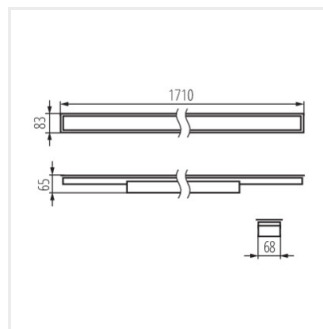
AL-LH-WW-MPR-B-PT



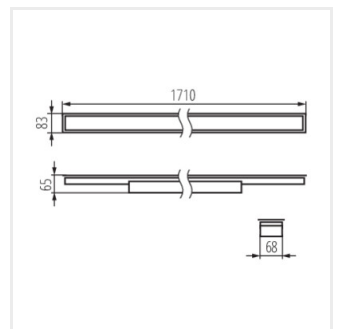
AL-LH-NW-MAT-S-PT



AL-LH-WW-MAT-S-PT



AL-LH-NW-MPR-S-PT



AL-LH-WW-MPR-S-PT