

XLED W

Source lumineuse LED



[V] 220-240 AC	[Hz] 50	FILAMENT	360° Φ _{use}	ellipse ≤ 6x Macadam	Ra 80	≥20000
15000 [h]	Hg		CE	EAC	UK CA	



XLED W A60 8,5W-WW



	P_{ON} [W]	P [W]	(lm) Φ_{use}	T_c [K]	°	Filament	Ei A G
XLED W A60 8,5W-WW	37380	8,5	75	1055	2700	320	E
XLED W ST64 7W-WW	37381	7	60	806	2700	320	E
XLED W C35E14 4,5W-WW	37382	4,5	40	470	2700	320	F
XLED W G45E14 4,5W-WW	37383	4,5	40	470	2700	320	F

- Matériau du diffuseur: verre

XLED W

Source lumineuse LED



XLED W A60 8,5W-WW



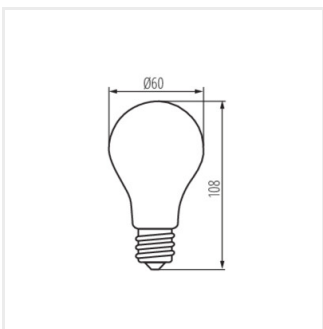
XLED W ST64 7W-WW



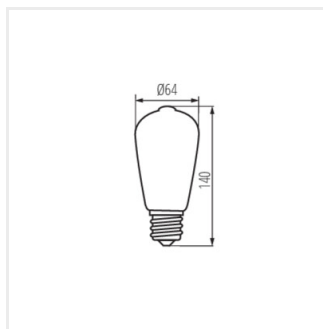
XLED W C35E14 4,5W-WW



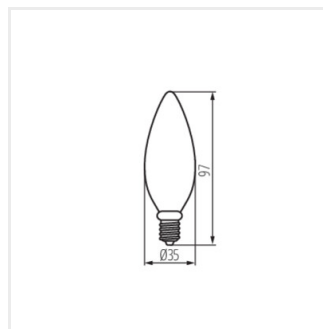
XLED W G45E14 4,5W-WW



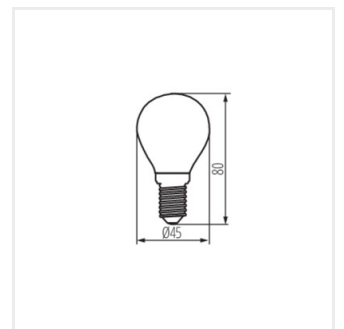
XLED W A60 8,5W-WW



XLED W ST64 7W-WW



XLED W C35E14 4,5W-WW



XLED W G45E14 4,5W-WW