

## TEAR

Sínes rendszer tartozék



TEAR PR-90A-WH

TEAR PR-90A-WH	<b>22581</b>
TEAR PR-90B-WH	<b>22582</b>
TEAR PR-FLEX-WH	<b>22584</b>
TEAR PR-I-WH	<b>22585</b>
TEAR PR-I-B-WH	<b>22586</b>
TEAR PR-PLUG-WH	<b>22587</b>
TEAR PR-T-LLR-WH	<b>22589</b>
TEAR PR-T-RRL-WH	<b>22590</b>
TEAR PR-X-WH	<b>22591</b>
TEAR TR 2M-WH	<b>22593</b>



TEAR PR-90A-WH



TEAR PR-90B-WH



TEAR PR-FLEX-WH



TEAR PR-I-WH

## TEAR

### Sínes rendszer tartozék



TEAR PR-I-B-WH



TEAR PR-PLUG-WH



TEAR PR-T-LLR-WH



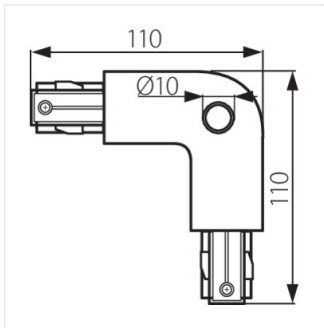
TEAR PR-T-RRL-WH



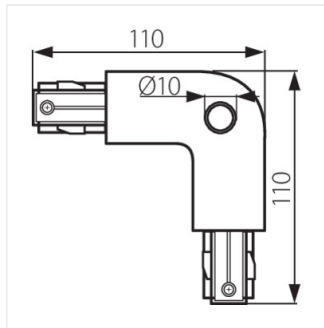
TEAR PR-X-WH



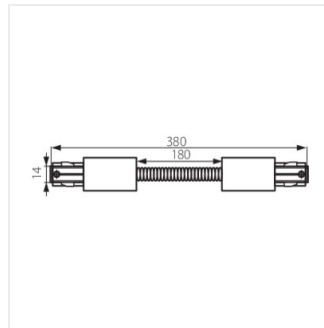
TEAR TR 2M-WH



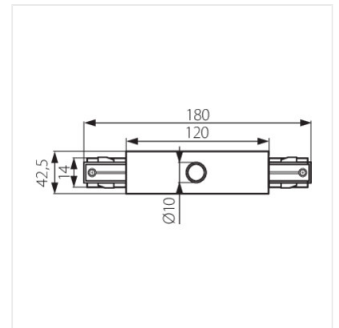
TEAR PR-90A-WH



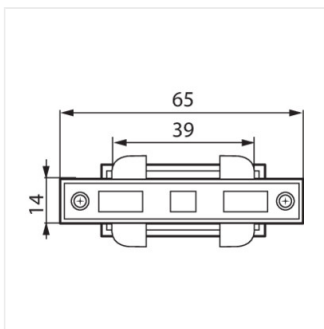
TEAR PR-90B-WH



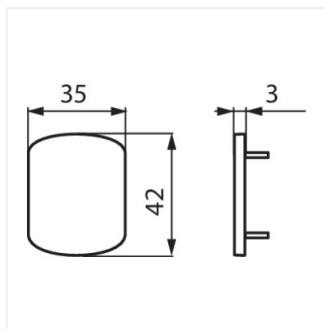
TEAR PR-FLEX-WH



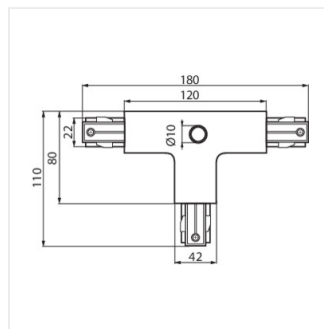
TEAR PR-I-WH



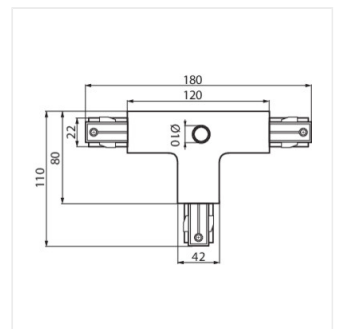
TEAR PR-I-B-WH



TEAR PR-PLUG-WH



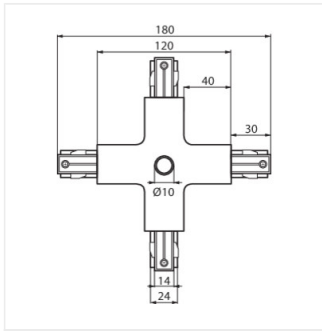
TEAR PR-T-LLR-WH



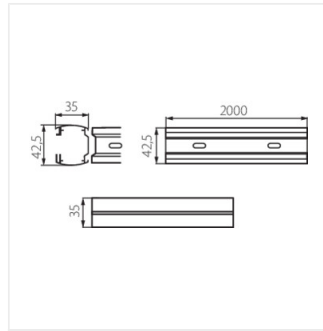
TEAR PR-T-RRL-WH

## TEAR

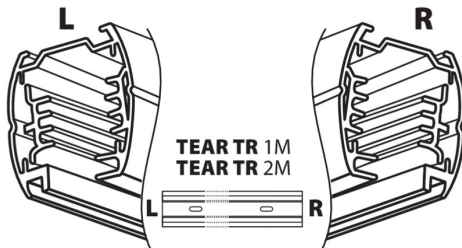
### Sínes rendszer tartozék



TEAR PR-X-WH

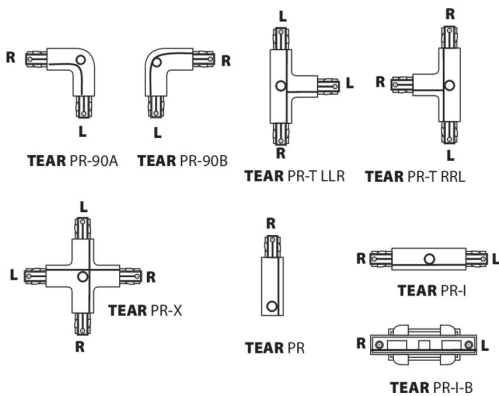
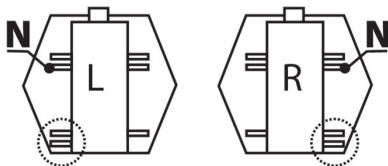


TEAR TR 2M-WH



TEAR TR 1M  
TEAR TR 2M

**N** —



### Sínes rendszer tartozék

