

FL AGOR LED

LED-es reflektor



| | | | | | | |
|-------------------|------------|----------|-------|----------------------------|----------|-----|
| [V] 220-240 AC | [Hz] 50 | ≥25000 | 50000 | elliptipse ≤ 6x Mackdam | Ra 80 | SMD |
| | | IP 65 | | °C -40+35 | | 180 |
| IK 05 | | 1 | 1m | Hg | CE | EAC |
| UK CA | | | | | | |



FL AGOR LED 100W NW



| Model | Power [W] | Beam Angle [°] | Initial Lumen [lm] | Useful Lumen [lm] | Temperature [K] | Beam Angle [°] | Color Rendering Index [CRI] | Energy Efficiency Class [Ei] |
|-----------------------|-----------|----------------|--------------------|-------------------|-----------------|----------------|-----------------------------|------------------------------|
| FL AGOR LED 100W NW | 33470 | 100 | 14000 | 11900 | 4000 | 100 | fekete | D |
| FL AGOR LED 150W NW | 33471 | 150 | 18000 | 15300 | 4000 | 100 | fekete | E |
| FL AGOR LED 200W NW | 33472 | 200 | 24000 | 20300 | 4000 | 100 | fekete | E |
| FL AGOR/A LED 100W NW | 33473 | 100 | 11000 | 9500 | 4000 | X45/Y80 | fekete | F |
| FL AGOR/A LED 150W NW | 33474 | 150 | 19500 | 13650 | 4000 | X45/Y80 | fekete | F |
| FL AGOR/A LED 200W NW | 33475 | 200 | 22000 | 17000 | 4000 | X45/Y80 | fekete | E |

- 5 év garancia a weblapon elérhető garancianyilatkozatnak megfelelően
- Lámpaház anyaga: alumínium ötvözet
- Védőüveg anyaga: edzett üveg

FL AGOR LED

LED-es reflektor



FL AGOR LED 100W NW



FL AGOR LED 150W NW



FL AGOR LED 200W NW



FL AGOR/A LED 100W NW



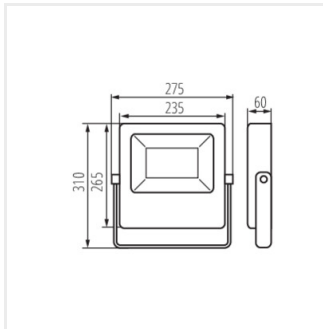
FL AGOR/A LED 150W NW



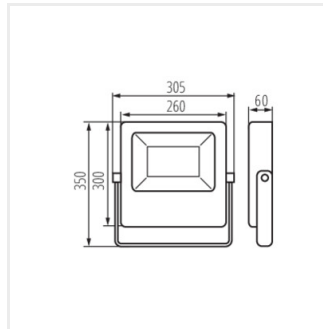
FL AGOR/A LED 200W NW

FL AGOR LED

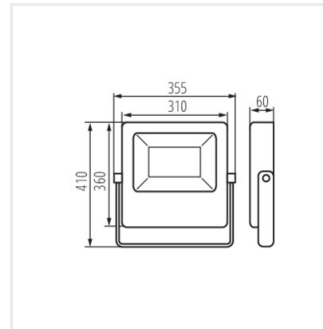
LED-es reflektor



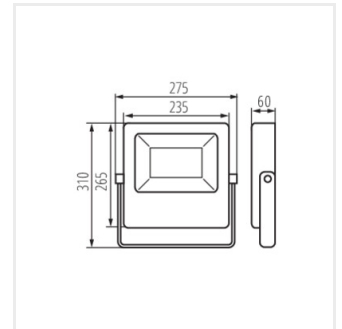
FL AGOR LED 100W NW



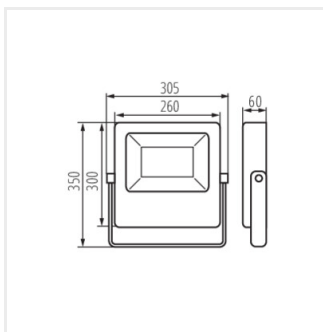
FL AGOR LED 150W NW



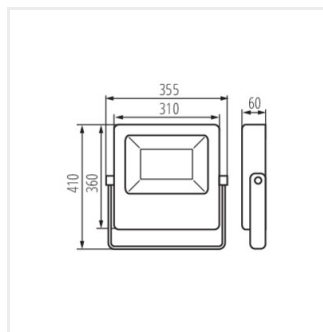
FL AGOR LED 200W NW



FL AGOR/A LED 100W NW



FL AGOR/A LED 150W NW



FL AGOR/A LED 200W NW