

ALD-SH-PT

LED lámpatest



[V] 220-240 AC	[Hz] 50	≥30000	[h] 50000	ellipse ≤3x MacAdam	Ra 80	SMD
DALI		IP 20		[°C] 5÷25		
[mm²] 0,5÷2,5		0,5m	CE	EAC	UK CA	



ALD-SH-NW-MAT-W-PT

	[V]	Tc [K]	TYPE	[°]		[lm]	[mm]	
ALD-SH-NW-MAT-W-PT	34189	19	4000	matt	X85/Y95	fehér	2550	590
ALD-SH-WW-MAT-W-PT	34191	19	3000	matt	X85/Y95	fehér	2250	590
ALD-SH-NW-MPR-W-PT	34193	19	4000	mikroprizmás	X75/Y90	fehér	2350	590
ALD-SH-WW-MPR-W-PT	34195	19	3000	mikroprizmás	X75/Y90	fehér	2050	590
ALD-SH-NW-MAT-B-PT	34201	19	4000	matt	X85/Y95	fehér	2550	590
ALD-SH-WW-MAT-B-PT	34203	19	3000	matt	X85/Y95	fekete	2250	590
ALD-SH-NW-MPR-B-PT	34205	19	4000	mikroprizmás	X75/Y90	fekete	2350	590
ALD-SH-WW-MPR-B-PT	34207	19	3000	mikroprizmás	X75/Y90	fekete	2050	590
ALD-SH-NW-MAT-S-PT	34213	19	4000	matt	X85/Y95	ezüst	2550	590
ALD-SH-WW-MAT-S-PT	34215	19	3000	matt	X85/Y95	ezüst	2250	590
ALD-SH-NW-MPR-S-PT	34217	19	4000	mikroprizmás	X75/Y90	ezüst	2350	590
ALD-SH-WW-MPR-S-PT	34219	19	3000	mikroprizmás	X75/Y90	ezüst	2050	590

- 5 év garancia a weblapon elérhető garancianyilatkozatnak megfelelően
- Lámpaház anyaga: acél
- Búra anyaga: műanyag

ALD-SH-PT

LED lámpatest



ALD-SH-NW-MAT-W-PT



ALD-SH-WW-MAT-W-PT



ALD-SH-NW-MPR-W-PT



ALD-SH-WW-MPR-W-PT



ALD-SH-NW-MAT-B-PT



ALD-SH-WW-MAT-B-PT



ALD-SH-NW-MPR-B-PT



ALD-SH-WW-MPR-B-PT



ALD-SH-NW-MAT-S-PT



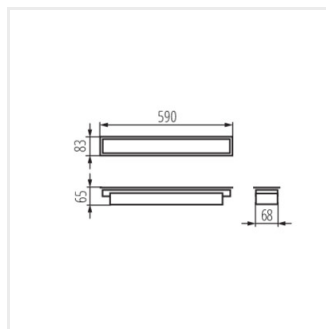
ALD-SH-WW-MAT-S-PT



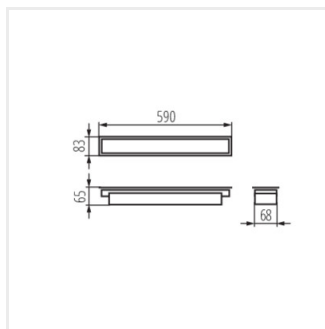
ALD-SH-NW-MPR-S-PT



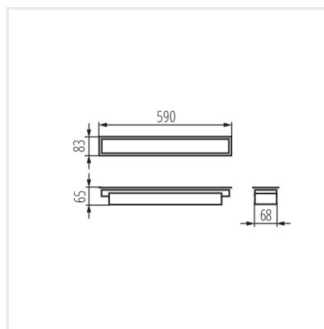
ALD-SH-WW-MPR-S-PT



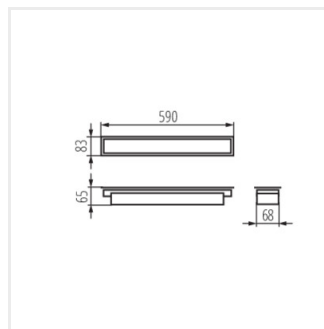
ALD-SH-NW-MAT-W-PT



ALD-SH-WW-MAT-W-PT



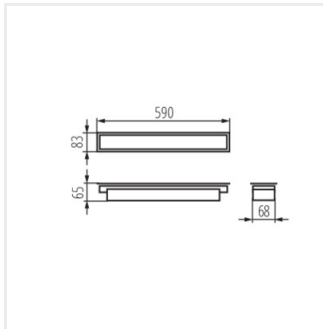
ALD-SH-NW-MPR-W-PT



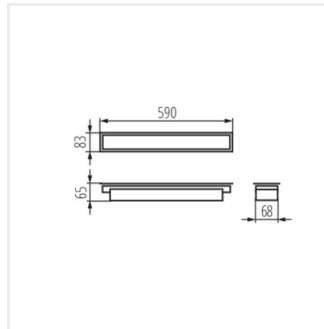
ALD-SH-WW-MPR-W-PT

ALD-SH-PT

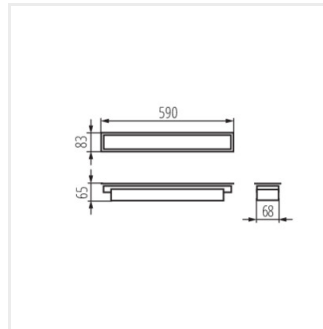
LED lámpatest



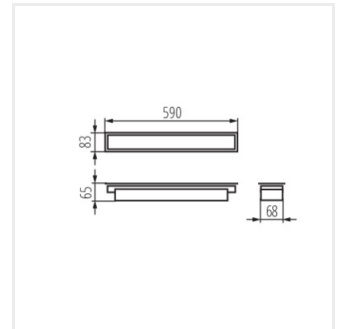
ALD-SH-NW-MAT-B-PT



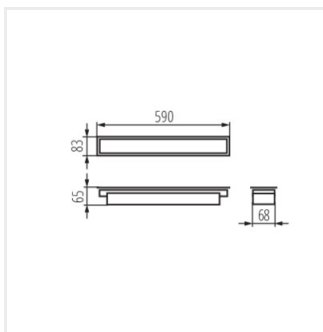
ALD-SH-WW-MAT-B-PT



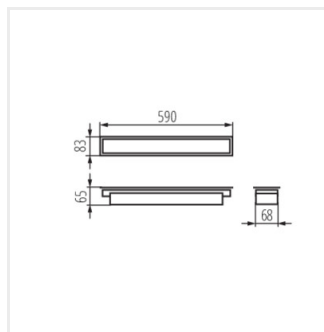
ALD-SH-NW-MPR-B-PT



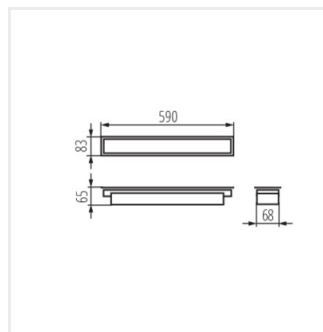
ALD-SH-WW-MPR-B-PT



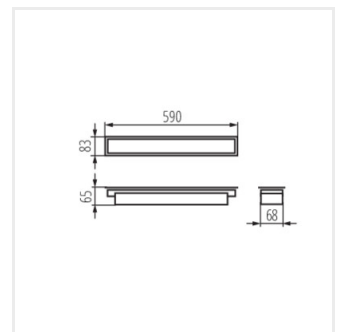
ALD-SH-NW-MAT-S-PT



ALD-SH-WW-MAT-S-PT



ALD-SH-NW-MPR-S-PT



ALD-SH-WW-MPR-S-PT