

FRANCO II LED

Lampada da scrivania led



[V] 220-240 AC	[Hz] 50	[°] 100	≥10000	[h] 20000	ellipse ≤ 6x MacAdam	Ra 80
SMD		DIMMING function		IP 20	0,1m	
	[°] 360	[°] 360	[m] 1,8			lm W max 87
CE	EAC	UK CA				



FRANCO II LED W



FRANCO II LED W 22342	max 6,8	bianco	max 590	3000
FRANCO II LED B 22343	max 6,8	nero	max 590	3000

- Materiale del corpo: plastica
- Diffusore: plastica



FRANCO II LED

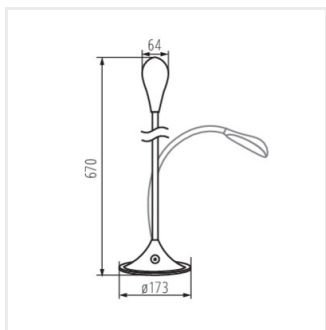
Lampada da scrivania led



FRANCO II LED W



FRANCO II LED B



FRANCO II LED