

KMB6

Interruttore automatico magnetotermico, 1P



KMB6-B16/1

| | [M] | | In [A] |
|------------|--------------|------------|--------|
| KMB6-B16/1 | 23140 | 230/400 AC | 1 16 |
| KMB6-B10/1 | 23141 | 230/400 AC | 1 10 |
| KMB6-B20/1 | 23142 | 230/400 AC | 1 20 |
| KMB6-B6/1 | 23144 | 230/400 AC | 1 6 |
| KMB6-B25/1 | 23147 | 230/400 AC | 1 25 |
| KMB6-B2/1 | 23156 | 230/400 AC | 1 2 |
| KMB6-B13/1 | 23158 | 230/400 AC | 1 13 |
| KMB6-B32/1 | 23162 | 230/400 AC | 1 32 |
| KMB6-B40/1 | 23174 | 230/400 AC | 1 40 |
| KMB6-B1/1 | 23175 | 230/400 AC | 1 1 |
| KMB6-B50/1 | 23176 | 230/400 AC | 1 50 |
| KMB6-B63/1 | 23177 | 230/400 AC | 1 63 |
| KMB6-B4/1 | 23179 | 230/400 AC | 1 4 |

Interruttore automatico magnetotermico: utilizzato per la protezione da sovraccarichi e cortocircuiti Conforme alle norme EN60898-1.

KMB6

Interruttore automatico magnetotermico, 1P



KMB6-B16/1



KMB6-B10/1



KMB6-B20/1



KMB6-B6/1



KMB6-B25/1



KMB6-B2/1



KMB6-B13/1



KMB6-B32/1



KMB6-B40/1



KMB6-B1/1



KMB6-B50/1



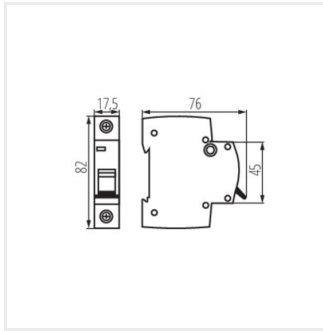
KMB6-B63/1



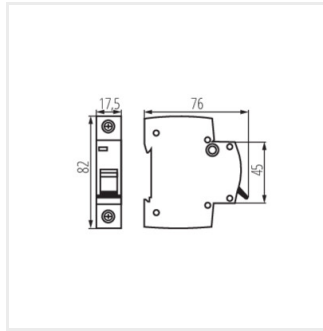
KMB6-B4/1

KMB6

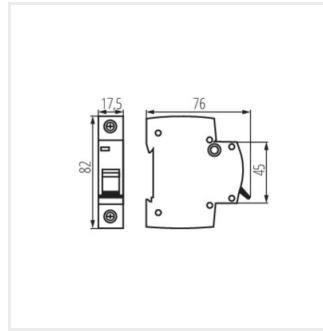
Interruttore automatico magnetotermico, 1P



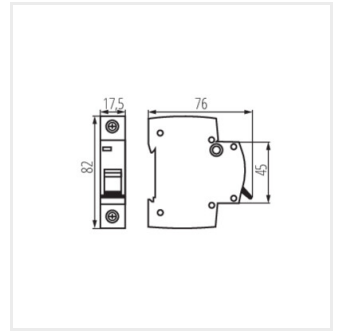
KMB6-B16/1



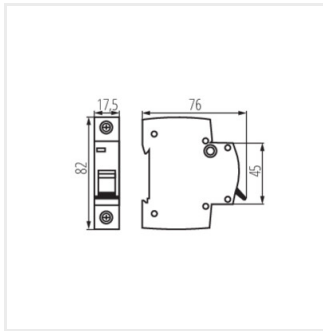
KMB6-B10/1



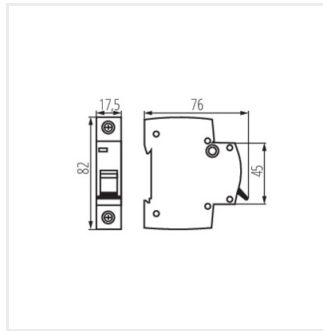
KMB6-B20/1



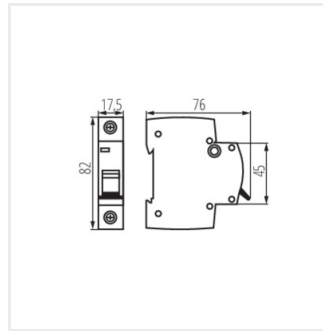
KMB6-B6/1



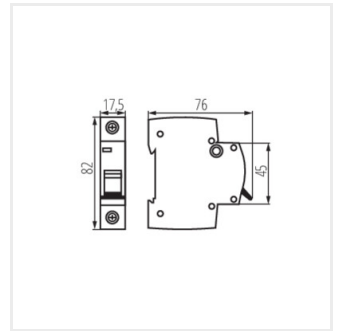
KMB6-B25/1



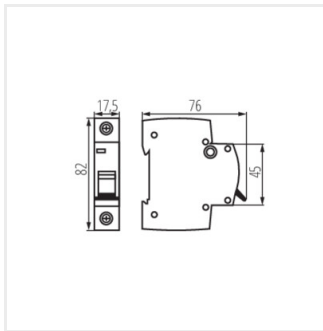
KMB6-B2/1



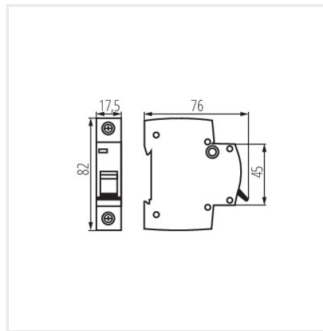
KMB6-B13/1



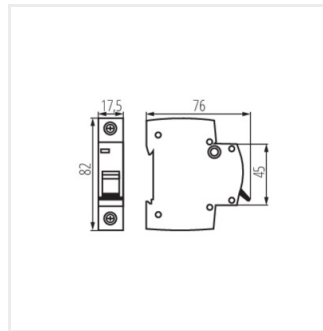
KMB6-B32/1



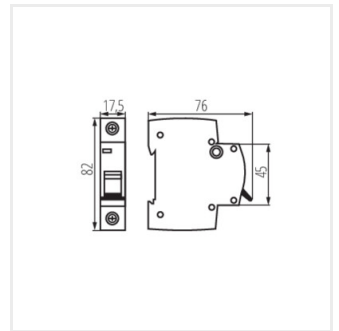
KMB6-B40/1



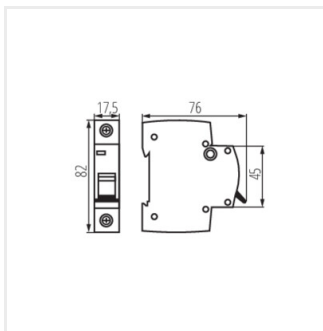
KMB6-B1/1



KMB6-B50/1



KMB6-B63/1



KMB6-B4/1