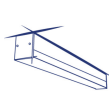
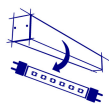


ALIN 4LED 1240mm NT

Plafoniera lineare per tubi led T8



[V] 220-240 AC	[Hz] 50	[W] max 36	G13	IP 20	0,5m
5÷25 [°C]	↑	1,5+2,5 [mm ²]	L N ONE SIDE INPUT		
CE	EAC	PZH	UK CA		



ALIN 4LED 1X120-W-NT

		TYPE			[mm]
ALIN 4LED 1X120-W-NT	27419	opaco	bianco	T8 LED	1240
ALIN 4LED 1X120-SR-NT	27421	opaco	argento	T8 LED	1240
ALIN 4LED 1X120-B-NT	27420	opaco	nero	T8 LED	1240
AL 4LED 120-MPR-W-NT	28446	microprismatico	bianco	T8 LED	1240
AL 4LED 120-MPR-SR-NT	28448	microprismatico	argento	T8 LED	1240
AL 4LED 120-MPR-B-NT	28447	microprismatico	nero	T8 LED	1240

- Materiale del corpo: lega di alluminio
- Materiale del diffusore: plastica



ALIN 4LED 1X120-W-NT



ALIN 4LED 1X120-SR-NT



ALIN 4LED 1X120-B-NT



AL 4LED 120-MPR-W-NT

ALIN 4LED 1240mm NT

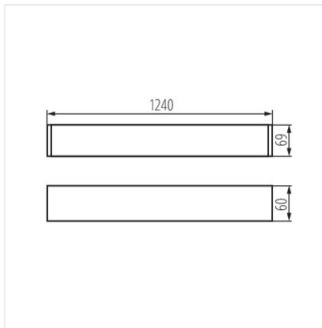
Plafoniera lineare per tubi led T8



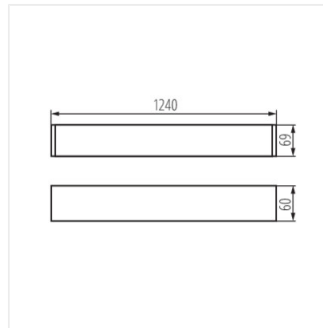
AL 4LED 120-MPR-SR-NT



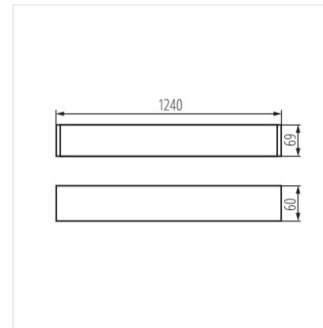
AL 4LED 120-MPR-B-NT



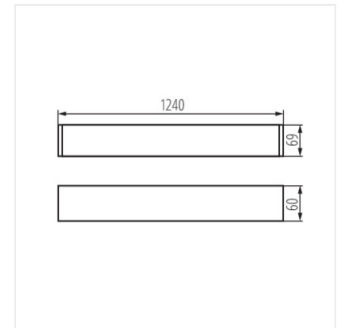
ALIN 4LED 1X120-W-NT



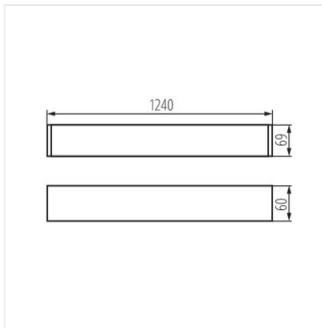
ALIN 4LED 1X120-SR-NT



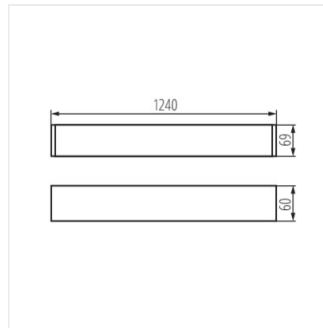
ALIN 4LED 1X120-B-NT



AL 4LED 120-MPR-W-NT



AL 4LED 120-MPR-SR-NT



AL 4LED 120-MPR-B-NT