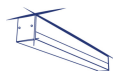
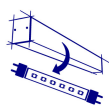


ALIN 4LED 1540mm NT

Plafoniera lineare per tubi led T8



[V] 220-240 AC	[Hz] 50	[W] max 58	G13	IP 20	
[°C] 5÷25			[mm²] 1,5+2,5	L N ONE SIDE INPUT	
CE	EAC	PZH	UK CA		0,5m



ALIN 4LED 1X150-W-NT

ALIN 4LED 1X150-W-NT	27425	opaco	bianco	T8 LED	1540
ALIN 4LED 1X150-SR-NT	27427	opaco	argento	T8 LED	1540
ALIN 4LED 1X150-B-NT	27426	opaco	nero	T8 LED	1540
AL 4LED 150-MPR-W-NT	28452	microprismatico	bianco	T8 LED	1540
AL 4LED 150-MPR-SR-NT	28454	microprismatico	argento	T8 LED	1540
AL 4LED 150-MPR-B-NT	28453	microprismatico	nero	T8 LED	1540

- Materiale del corpo: lega di alluminio
- Materiale del diffusore: plastica



ALIN 4LED 1X150-W-NT



ALIN 4LED 1X150-SR-NT



ALIN 4LED 1X150-B-NT



AL 4LED 150-MPR-W-NT

ALIN 4LED 1540mm NT

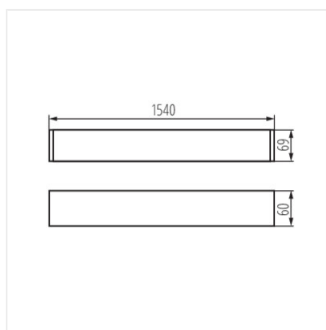
Plafoniera lineare per tubi led T8



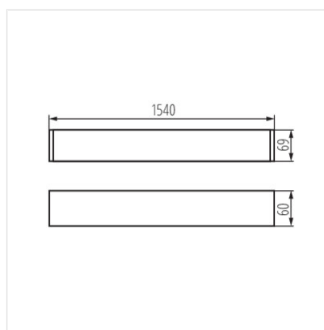
AL 4LED 150-MPR-SR-NT



AL 4LED 150-MPR-B-NT



ALIN 4LED 1X150



ALIN 4LED 150-MPR