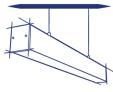
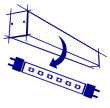


ALIN 4LED 630mm

Plafoniera lineare per tubi led T8



[V] 220-240 AC	[Hz] 50	[W] max 18	G13	IP 20	
[°C] 5÷25			[mm²] 1,5+2,5	L N ONE SIDE INPUT	
CE	EAC	PZH	UK CA		0,5m

ALIN 4LED 1X60-W

		TYPE 			[mm]
ALIN 4LED 1X60-W	27410	opaco	bianco	T8 LED	630
ALIN 4LED 1X60-SR	27412	opaco	argento	T8 LED	630
ALIN 4LED 1X60-B	27411	opaco	nero	T8 LED	630
AL 4LED 60-MPR-W	28443	microprismatico	bianco	T8 LED	630
AL 4LED 60-MPR-SR	28445	microprismatico	argento	T8 LED	630
AL 4LED 60-MPR-B	28444	microprismatico	nero	T8 LED	630

- Materiale del corpo: lega di alluminio
- Materiale del diffusore: plastica

ALIN 4LED 630mm

Plafoniera lineare per tubi led T8



ALIN 4LED 1X60-W



ALIN 4LED 1X60-SR



ALIN 4LED 1X60-B



AL 4LED 60-MPR-W



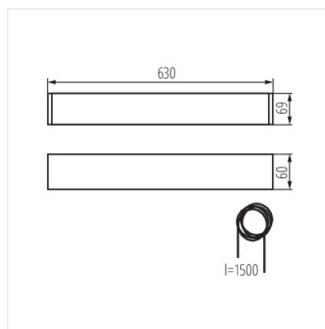
AL 4LED 60-MPR-SR



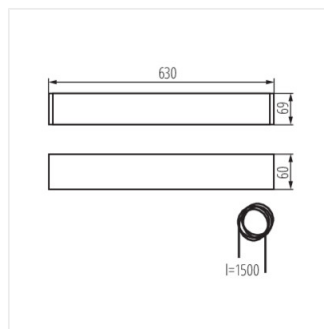
AL 4LED 60-MPR-B

ALIN 4LED 630mm

Plafoniera lineare per tubi led T8



ALIN 4LED 1X60-B



AL 4LED 60-MPR-B