

## FUTURIO LED 37W 1180mm

Plafoniera stagna led



[V] 220-240 AC	[Hz] 50	≥30000	50000	ellipse ≤3x MacAdam	Ra 80	SMD
		IP 65			IK 08	
[mm] 1,5+2,5	0,5m					



### FT1200 37W-840-OPL

	[W]	Tc [K]	TYPE	[°]	[mm]	lm	lm/W	[mm]	[°C]
FT1200 37W-840-OPL	<b>28630</b>	37	4000	opalescente	X130/Y110	5000	135	1180	-25÷40
FT1200 37W-840-RYF	<b>28631</b>	37	4000	grooved	X115/Y105	5400	146	1180	-25÷40
FT1200 37W-840-INT	<b>28633</b>	37	4000	prismatico, a fascio stretto	X70/Y95	5200	141	1180	-25÷40
FT1200 37W-840-ASY	<b>28634</b>	37	4000	prismatico, asimmetrico	X75/Y95	5200	141	1180	-25÷40

- Materiale del corpo: PC
- Materiale del diffusore: PC



FT1200 37W-840-OPL



FT1200 37W-840-RYF



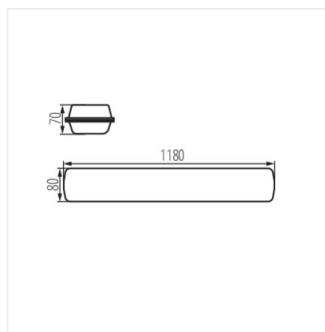
FT1200 37W-840-INT



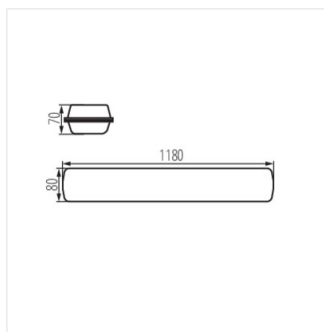
FT1200 37W-840-ASY

## FUTURIO LED 37W 1180mm

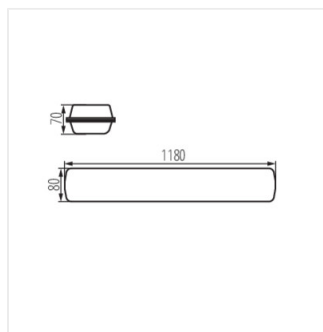
Plafoniera stagna led



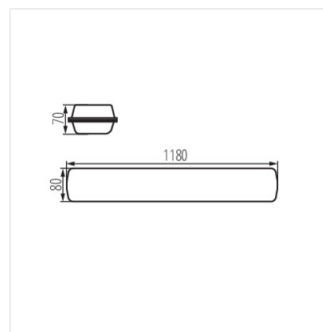
FT1200 37W-840-OPL



FT1200 37W-840-RYF



FT1200 37W-840-INT



FT1200 37W-840-ASY