

FUTURIO LED DALI 28W 1180mm

Plafoniera stagna led



[V] 220-240 AC	[Hz] 50	≥30000	50000	ellipse ≤3x MacAdam	Ra 80	SMD
DALI		IP 65			IK 08	
[mm ²] 0,5+2,5	0,5m					



FTD1200 28W-840-OPL

	[V]	Tc [K]		TYPE	[°]	[lm]	lm W	[mm]	[°C]
FTD1200 28W-840-OPL	28854	28	4000	opalescente	X130/Y110	4100	146	1180	-25÷40
FTD1200 28W-840-RYF	28855	28	4000	grooved	X115/Y105	4500	161	1180	-25÷40
FTD1200 28W-840-INT	28856	28	4000	prismatico, a fascio stretto	X70/Y95	4300	154	1180	-25÷40
FTD1200 28W-840-ASY	28857	28	4000	prismatico, asimmetrico	X75/Y95	4300	154	1180	-25÷40

- Materiale del corpo: PC
- Materiale del diffusore: PC



FTD1200 28W-840-OPL



FTD1200 28W-840-RYF



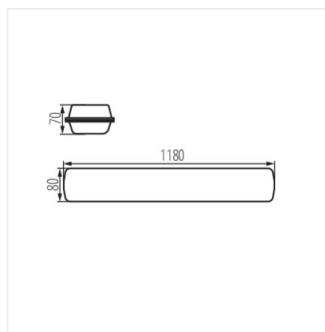
FTD1200 28W-840-INT



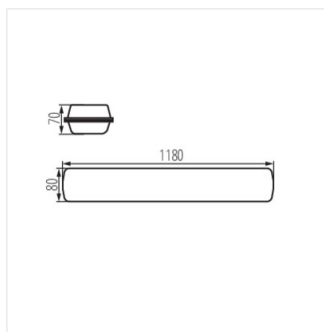
FTD1200 28W-840-ASY

FUTURIO LED DALI 28W 1180mm

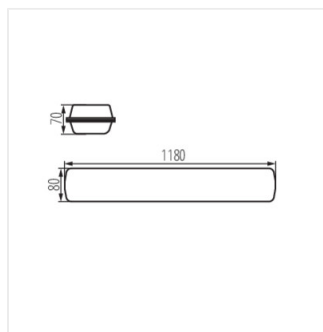
Plafoniera stagna led



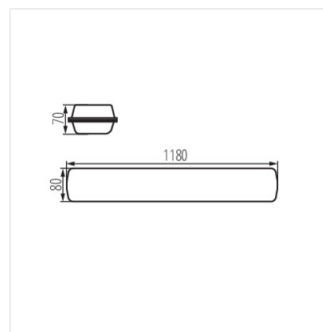
FTD1200 28W-840-OPL



FTD1200 28W-840-RYF



FTD1200 28W-840-INT



FTD1200 28W-840-ASY