

# GU10 2,7W

Lampadina led



[V] 220-240 AC	[Hz] 50	PAR16	SMD	[W] 2,7	120° Φ <sub>use</sub>	lm W 89
ellipse ≤ 6x MacAdam	Ra 80	≥15000	[h] 15000	Hg		CE
EAC	UK CA					

## GU10 2,7W-WW LED

	PON [W]	[W]	[lm]	[lm] Φ <sub>use</sub>	Tc [K]	[°]		EI [A] [G]
--	------------	-----	------	-----------------------	--------	-----	--	------------------

GU10 2,7W-WW LED	<b>31227</b>	2,7	25	240	220	3000	100	GU10	F
GU10 2,7W-NW LED	<b>31228</b>	2,7	25	240	220	4000	100	GU10	F
GU10 2,7W-CW LED	<b>31229</b>	2,7	25	240	220	5000	100	GU10	F

- Materiale: plastica
- Diffusore: plastica



GU10 2,7W-WW LED



GU10 2,7W-NW LED

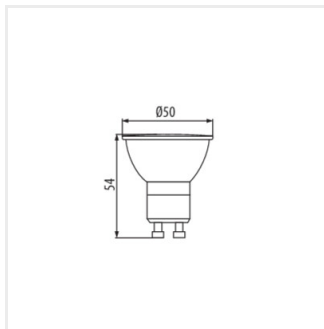


GU10 2,7W-CW LED

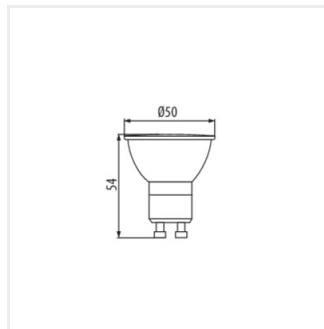
## GU10 2,7W

---

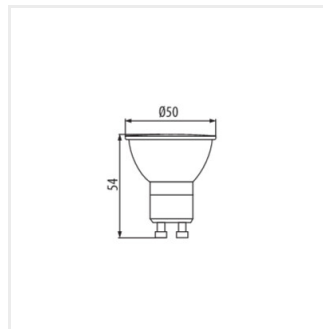
Lampadina led



GU10 2,7W-WW LED



GU10 2,7W-NW LED



GU10 2,7W-CW LED