

DICHT 4LED NP-PS

Plafoniera stagna per tubi LED



[V] 220-240 AC	[Hz] 50		IP 65		 5÷25	
	 0,5÷2,5	 ONE SIDE INPUT	 0,5m			
EAC	UK CA					



DICHT 4LED NP 218/PS	31320	2 x max 18	T8 LED	G13	grigio
DICHT 4LED NP 236/PS	31321	2 x max 36	T8 LED	G13	grigio

- Materiale del corpo: plastica
- Diffusore: PS



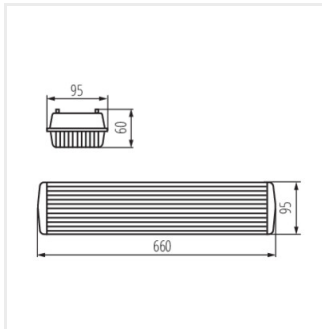
DICHT 4LED NP 218/PS



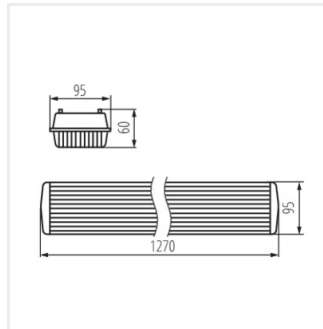
DICHT 4LED NP 236/PS

DICHT 4LED NP-PS

Plafoniera stagna per tubi LED



DICHT 4LED NP 218/PS



DICHT 4LED NP 236/PS