

DICHT LED

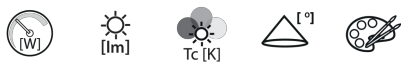
Plafoniera stagna LED



[V] 220-240 AC	[Hz] 50	≥25000	[h] 20000	ellipse ≤ 6x Macadam	Ra 80	SMD
		IP 65		[°C] -20÷40		
[mm²] 1+2,5	0,5m	360° Φuse				



DICHT LED 18W-NW



	[W]	[lm]	Tc [K]	[°]	
DICHT LED 18W-NW 31410	18	1800	4000	110	grigio
DICHT LED 36W-NW 31411	36	3600	4000	110	grigio
DICHT LED 48W-NW 31412	48	4800	4000	110	grigio

- Materiale del corpo: plastica
- Diffusore: PC



DICHT LED 18W-NW



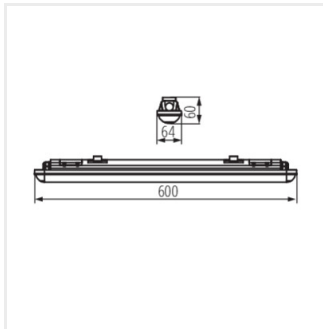
DICHT LED 36W-NW



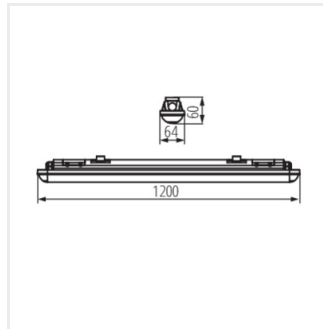
DICHT LED 48W-NW

DICHT LED

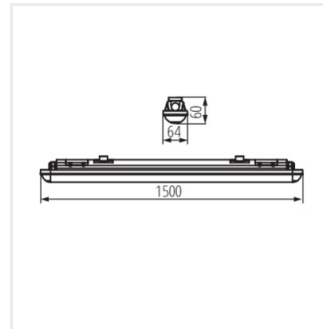
Plafoniera stagna LED



DIGHT LED 18W-NW



DIGHT LED 36W-NW



DIGHT LED 48W-NW