

AL-SH-PT

Plafoniera LED lineare



[V] 220-240 AC	[Hz] 50	≥ 30000	[h] 50000	ellipse $\leq 3\% \text{ MacAdam}$	Ra 80	SMD
		IP 20		[°C] 5÷25		
[mm ²] 1,5÷2,5		\sim m 0,5m				



AL-SH-NW-MAT-W-PT

	[W]	Tc [K]		[°]		[m]	[mm]	
AL-SH-NW-MAT-W-PT	33937	19	4000	opaco	X85/Y95	bianco	2550	590
AL-SH-WW-MAT-W-PT	33939	19	3000	opaco	X85/Y95	bianco	2250	590
AL-SH-NW-MPR-W-PT	33941	19	4000	microprismatico	X75/Y90	bianco	2350	590
AL-SH-WW-MPR-W-PT	33943	19	3000	microprismatico	X75/Y90	bianco	2050	590
AL-SH-NW-MAT-B-PT	33949	19	4000	opaco	X85/Y95	nero	2550	590
AL-SH-WW-MAT-B-PT	33951	19	3000	opaco	X85/Y95	nero	2250	590
AL-SH-NW-MPR-B-PT	33953	19	4000	microprismatico	X75/Y90	nero	2350	590
AL-SH-WW-MPR-B-PT	33955	19	3000	microprismatico	X75/Y90	nero	2050	590
AL-SH-NW-MAT-S-PT	33961	19	4000	opaco	X85/Y95	argento	2550	590
AL-SH-WW-MAT-S-PT	33963	19	3000	opaco	X85/Y95	argento	2250	590
AL-SH-NW-MPR-S-PT	33965	19	4000	microprismatico	X75/Y90	argento	2350	590
AL-SH-WW-MPR-S-PT	33967	19	3000	microprismatico	X75/Y90	argento	2050	590

- 5 anni di garanzia secondo le condizioni della dichiarazione di garanzia consultabile sul sito Internet
- Materiale del corpo: metallo
- Diffusore: plastica

AL-SH-PT

Plafoniera LED lineare



AL-SH-NW-MAT-W-PT



AL-SH-WW-MAT-W-PT



AL-SH-NW-MPR-W-PT



AL-SH-WW-MPR-W-PT



AL-SH-NW-MAT-B-PT



AL-SH-WW-MAT-B-PT



AL-SH-NW-MPR-B-PT



AL-SH-WW-MPR-B-PT



AL-SH-NW-MAT-S-PT



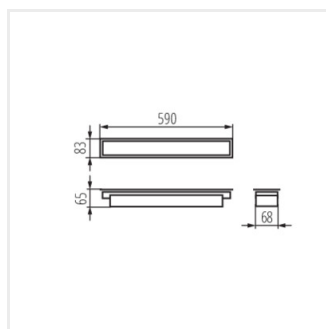
AL-SH-WW-MAT-S-PT



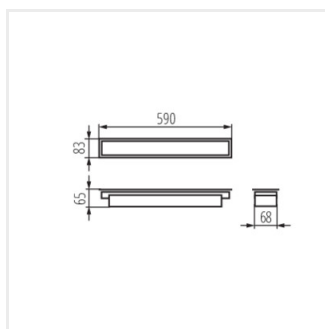
AL-SH-NW-MPR-S-PT



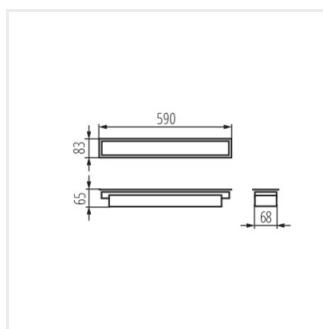
AL-SH-WW-MPR-S-PT



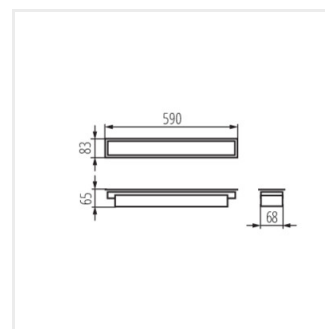
AL-SH-NW-MAT-W-PT



AL-SH-WW-MAT-W-PT



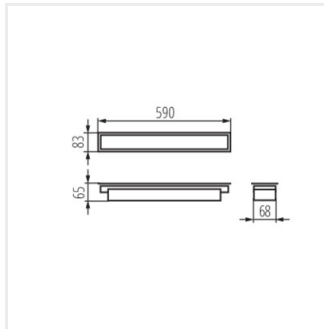
AL-SH-NW-MPR-W-PT



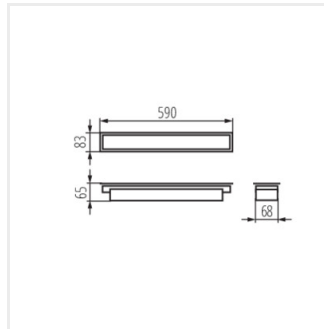
AL-SH-WW-MPR-W-PT

AL-SH-PT

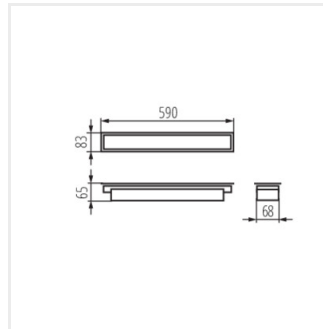
Plafoniera LED lineare



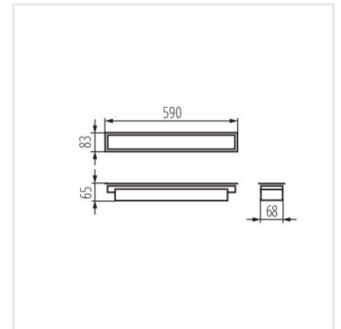
AL-SH-NW-MAT-B-PT



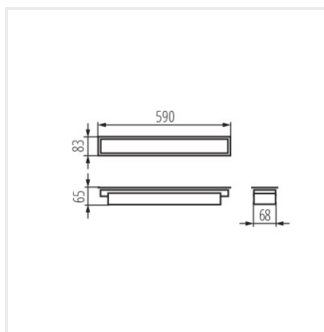
AL-SH-WW-MAT-B-PT



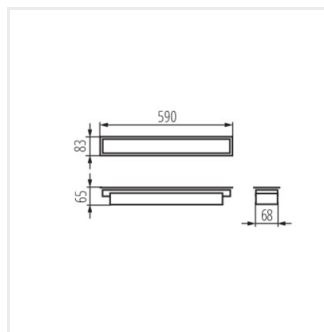
AL-SH-NW-MPR-B-PT



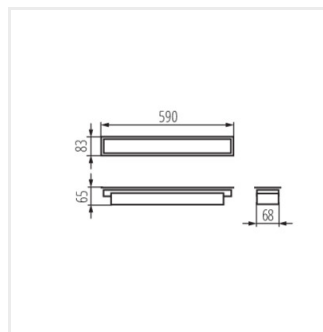
AL-SH-WW-MPR-B-PT



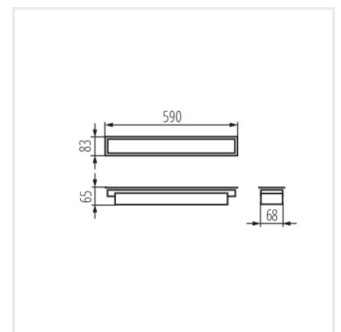
AL-SH-NW-MAT-S-PT



AL-SH-WW-MAT-S-PT



AL-SH-NW-MPR-S-PT



AL-SH-WW-MPR-S-PT