

AL-SL-PT

Plafoniera LED lineare



[V] 220-240 AC	[Hz] 50	≥30000	[h] 50000	ellipse ≤3x MacAdam	Ra 80	SMD
		IP 20		[°C] 5÷25		
[mm²] 1,5÷2,5		0,5m				



AL-SL-NW-MAT-W-PT

	[W]	Tc [K]	TYPE	[°]		[lm]	[mm]
AL-SL-NW-MAT-W-PT	33936	10	4000	opaco	X85/Y95	bianco	1300 590
AL-SL-WW-MAT-W-PT	33938	10	3000	opaco	X85/Y95	bianco	1150 590
AL-SL-NW-MPR-W-PT	33940	10	4000	microprismatico	X75/Y90	bianco	1200 590
AL-SL-WW-MPR-W-PT	33942	10	3000	microprismatico	X75/Y90	bianco	1050 590
AL-SL-NW-MAT-B-PT	33948	10	4000	opaco	X85/Y95	nero	1300 590
AL-SL-WW-MAT-B-PT	33950	10	3000	opaco	X85/Y95	nero	1150 590
AL-SL-NW-MPR-B-PT	33952	10	4000	microprismatico	X75/Y90	nero	1200 590
AL-SL-WW-MPR-B-PT	33954	10	3000	microprismatico	X75/Y90	nero	1050 590
AL-SL-NW-MAT-S-PT	33960	10	4000	opaco	X85/Y95	argento	1300 590
AL-SL-WW-MAT-S-PT	33962	10	3000	opaco	X85/Y95	argento	1150 590
AL-SL-NW-MPR-S-PT	33964	10	4000	microprismatico	X75/Y90	argento	1200 590
AL-SL-WW-MPR-S-PT	33966	10	3000	microprismatico	X75/Y90	argento	1050 590

- 5 anni di garanzia secondo le condizioni della dichiarazione di garanzia consultabile sul sito Internet
- Materiale del corpo: metallo
- Diffusore: plastica

AL-SL-PT

Plafoniera LED lineare



AL-SL-NW-MAT-W-PT



AL-SL-WW-MAT-W-PT



AL-SL-NW-MPR-W-PT



AL-SL-WW-MPR-W-PT



AL-SL-NW-MAT-B-PT



AL-SL-WW-MAT-B-PT



AL-SL-NW-MPR-B-PT



AL-SL-WW-MPR-B-PT



AL-SL-NW-MAT-S-PT



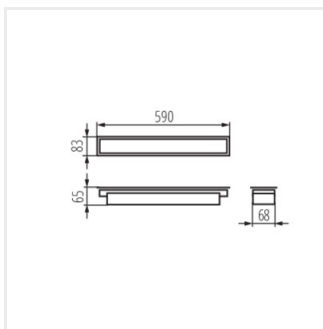
AL-SL-WW-MAT-S-PT



AL-SL-NW-MPR-S-PT



AL-SL-WW-MPR-S-PT



ALD-SL