

AL-ML-PT

Plafoniera LED lineare



| | | | | | | |
|-------------------------------|------------|-----------------|--------------|------------------------------|----------|-----|
| [V] 220-240 AC | [Hz] 50 | ≥ 30000 | [h] 50000 | ellipse $\leq 3x$ MacAdam | Ra 80 | SMD |
| | | IP 20 | | [°C] 5÷25 | | |
| [mm ²] 1,5÷2,5 | | 0,5m | | | | |



AL-ML-NW-MAT-W-PT

| | [W] | Tc [K] | TYPE | [°] | | [lm] | [mm] |
|--------------------------------|-----|--------|-----------------|---------|---------|------|------|
| AL-ML-NW-MAT-W-PT 34008 | 25 | 4000 | opaco | X85/Y95 | bianco | 3250 | 1150 |
| AL-ML-WW-MAT-W-PT 34010 | 25 | 3000 | opaco | X85/Y95 | bianco | 2980 | 1150 |
| AL-ML-NW-MPR-W-PT 34012 | 25 | 4000 | microprismatico | X75/Y90 | bianco | 3000 | 1150 |
| AL-ML-WW-MPR-W-PT 34014 | 25 | 3000 | microprismatico | X75/Y90 | bianco | 2750 | 1150 |
| AL-ML-NW-MAT-B-PT 34020 | 25 | 4000 | opaco | X85/Y95 | nero | 3250 | 1150 |
| AL-ML-WW-MAT-B-PT 34022 | 25 | 3000 | opaco | X85/Y95 | nero | 2980 | 1150 |
| AL-ML-NW-MPR-B-PT 34024 | 25 | 4000 | microprismatico | X75/Y90 | nero | 3000 | 1150 |
| AL-ML-WW-MPR-B-PT 34026 | 25 | 3000 | microprismatico | X75/Y90 | nero | 2750 | 1150 |
| AL-ML-NW-MAT-S-PT 34032 | 25 | 4000 | opaco | X85/Y95 | argento | 3250 | 1150 |
| AL-ML-WW-MAT-S-PT 34034 | 25 | 3000 | opaco | X85/Y95 | argento | 2980 | 1150 |
| AL-ML-NW-MPR-S-PT 34036 | 25 | 4000 | microprismatico | X75/Y90 | argento | 3000 | 1150 |
| AL-ML-WW-MPR-S-PT 34038 | 25 | 3000 | microprismatico | X75/Y90 | argento | 2750 | 1150 |

- 5 anni di garanzia secondo le condizioni della dichiarazione di garanzia consultabile sul sito Internet
- Materiale del corpo: metallo
- Diffusore: plastica

AL-ML-PT

Plafoniera LED lineare



AL-ML-NW-MAT-W-PT



AL-ML-WW-MAT-W-PT



AL-ML-NW-MPR-W-PT



AL-ML-WW-MPR-W-PT



AL-ML-NW-MAT-B-PT



AL-ML-WW-MAT-B-PT



AL-ML-NW-MPR-B-PT



AL-ML-WW-MPR-B-PT



AL-ML-NW-MAT-S-PT



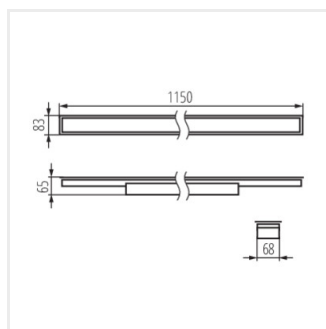
AL-ML-WW-MAT-S-PT



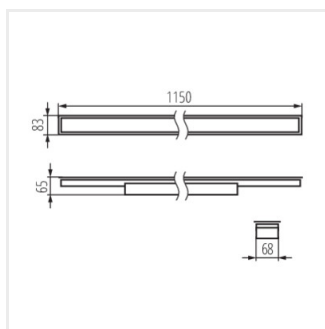
AL-ML-NW-MPR-S-PT



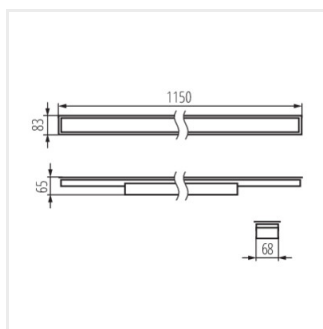
AL-ML-WW-MPR-S-PT



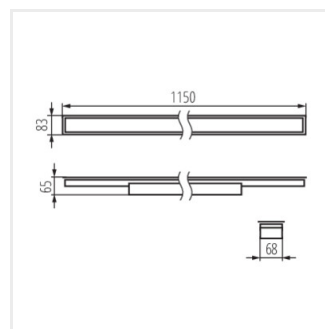
AL-ML-NW-MAT-W-PT



AL-ML-WW-MAT-W-PT



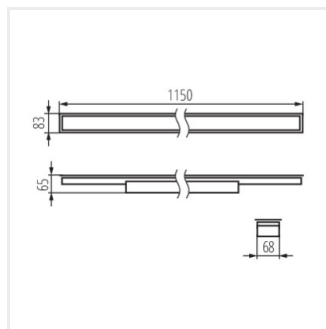
AL-ML-NW-MPR-W-PT



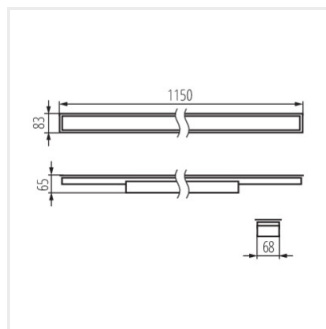
AL-ML-WW-MPR-W-PT

AL-ML-PT

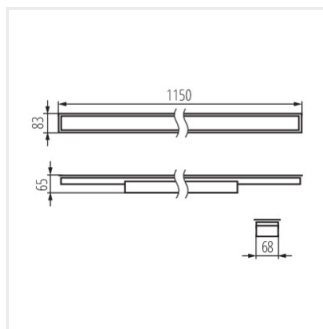
Plafoniera LED lineare



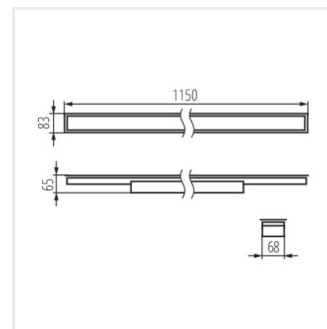
AL-ML-NW-MAT-B-PT



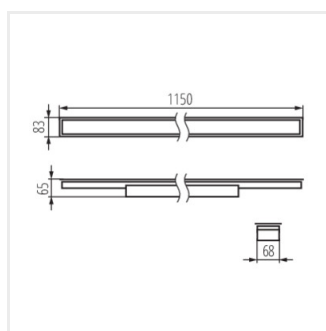
AL-ML-WW-MAT-B-PT



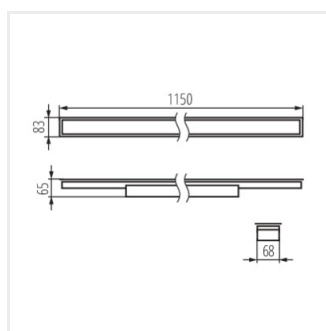
AL-ML-NW-MPR-B-PT



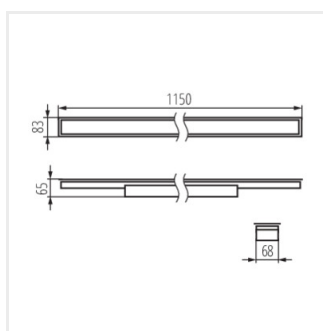
AL-ML-WW-MPR-B-PT



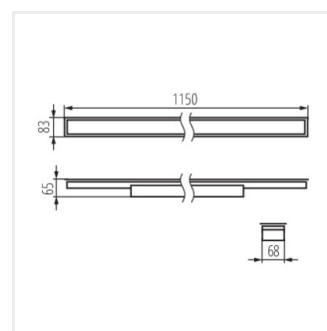
AL-ML-NW-MAT-S-PT



AL-ML-WW-MAT-S-PT



AL-ML-NW-MPR-S-PT



AL-ML-WW-MPR-S-PT

