

AL-MH-PT

Plafoniera LED lineare



[V] 220-240 AC	[Hz] 50	≥30000	[h] 50000	ellipse ≤3x Macadam	Ra 80	SMD
		IP 20		[°C] 5÷25		
[mm²] 1,5÷2,5		0,5m				



AL-MH-NW-MAT-W-PT

	[W]	Tc [K]	TYPE	[°]			[m]	[mm]
AL-MH-NW-MAT-W-PT	34009	40	4000	opaco	X85/Y95	bianco	5050	1150
AL-MH-WW-MAT-W-PT	34011	40	3000	opaco	X85/Y95	bianco	4500	1150
AL-MH-NW-MPR-W-PT	34013	40	4000	microprismatico	X75/Y90	bianco	4650	1150
AL-MH-WW-MPR-W-PT	34015	40	3000	microprismatico	X75/Y90	bianco	4150	1150
AL-MH-NW-MAT-B-PT	34021	40	4000	opaco	X85/Y95	nero	5050	1150
AL-MH-WW-MAT-B-PT	34023	40	3000	opaco	X85/Y95	nero	4500	1150
AL-MH-NW-MPR-B-PT	34025	40	4000	microprismatico	X75/Y90	nero	4650	1150
AL-MH-WW-MPR-B-PT	34027	40	3000	microprismatico	X75/Y90	nero	4150	1150
AL-MH-NW-MAT-S-PT	34033	40	4000	opaco	X85/Y95	argento	5050	1150
AL-MH-WW-MAT-S-PT	34035	40	3000	opaco	X85/Y95	argento	4500	1150
AL-MH-NW-MPR-S-PT	34037	40	4000	microprismatico	X75/Y90	argento	4650	1150
AL-MH-WW-MPR-S-PT	34039	40	3000	microprismatico	X75/Y90	argento	4150	1150

- 5 anni di garanzia secondo le condizioni della dichiarazione di garanzia consultabile sul sito Internet
- Materiale del corpo: metallo
- Diffusore: plastica

AL-MH-PT

Plafoniera LED lineare



AL-MH-NW-MAT-W-PT



AL-MH-WW-MAT-W-PT



AL-MH-NW-MPR-W-PT



AL-MH-WW-MPR-W-PT



AL-MH-NW-MAT-B-PT



AL-MH-WW-MAT-B-PT



AL-MH-NW-MPR-B-PT



AL-MH-WW-MPR-B-PT



AL-MH-NW-MAT-S-PT



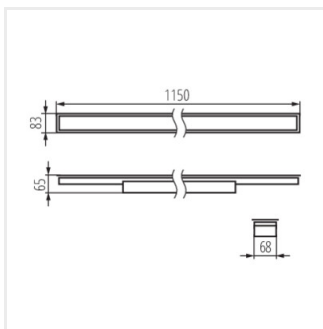
AL-MH-WW-MAT-S-PT



AL-MH-NW-MPR-S-PT



AL-MH-WW-MPR-S-PT



ALD-MH