

AL-LL-PT

Plafoniera LED lineare



[V] 220-240 AC	[Hz] 50	≥ 30000	[h] 50000	ellipse $\leq 3\% \text{ MacAdam}$	Ra 80	SMD
		IP 20		[°C] 5÷25		
[mm ²] 1,5÷2,5		0,5m				



AL-LL-NW-MAT-W-PT

	[W]	Tc [K]	TYPE	[°]		[m]	[mm]	
AL-LL-NW-MAT-W-PT	34116	33	4000	opaco	X85/Y95	bianco	4550	1710
AL-LL-WW-MAT-W-PT	34118	33	3000	opaco	X85/Y95	bianco	4100	1710
AL-LL-NW-MPR-W-PT	34120	33	4000	microprismatico	X75/Y90	bianco	4150	1710
AL-LL-WW-MPR-W-PT	34122	33	3000	microprismatico	X75/Y90	bianco	3750	1710
AL-LL-NW-MAT-B-PT	34128	33	4000	opaco	X85/Y95	nero	4550	1710
AL-LL-WW-MAT-B-PT	34130	33	3000	opaco	X85/Y95	nero	4100	1710
AL-LL-NW-MPR-B-PT	34132	33	4000	microprismatico	X75/Y90	nero	4150	1710
AL-LL-WW-MPR-B-PT	34134	33	3000	microprismatico	X75/Y90	nero	3750	1710
AL-LL-NW-MAT-S-PT	34140	33	4000	opaco	X85/Y95	argento	4550	1710
AL-LL-WW-MAT-S-PT	34142	33	3000	opaco	X85/Y95	argento	4100	1710
AL-LL-NW-MPR-S-PT	34144	33	4000	microprismatico	X75/Y90	argento	4150	1710
AL-LL-WW-MPR-S-PT	34146	33	3000	microprismatico	X75/Y90	argento	3750	1710

- 5 anni di garanzia secondo le condizioni della dichiarazione di garanzia consultabile sul sito Internet
- Materiale del corpo: metallo
- Diffusore: plastica

AL-LL-PT

Plafoniera LED lineare



AL-LL-NW-MAT-W-PT



AL-LL-WW-MAT-W-PT



AL-LL-NW-MPR-W-PT



AL-LL-WW-MPR-W-PT



AL-LL-NW-MAT-B-PT



AL-LL-WW-MAT-B-PT



AL-LL-NW-MPR-B-PT



AL-LL-WW-MPR-B-PT



AL-LL-NW-MAT-S-PT



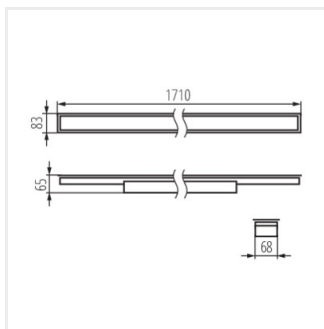
AL-LL-WW-MAT-S-PT



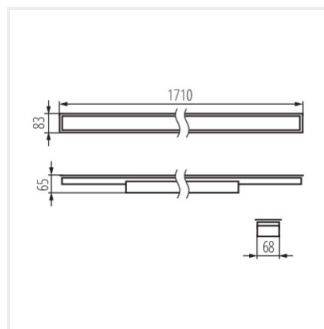
AL-LL-NW-MPR-S-PT



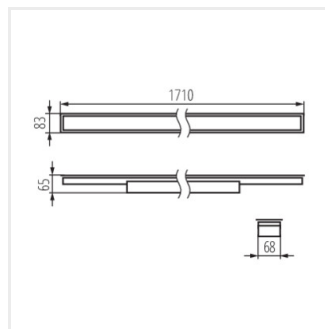
AL-LL-WW-MPR-S-PT



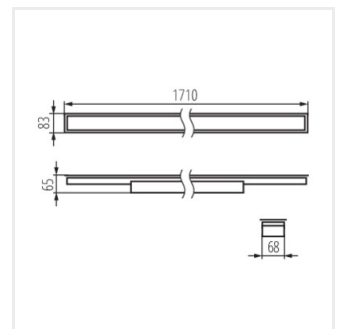
AL-LL-NW-MAT-W-PT



AL-LL-WW-MAT-W-PT



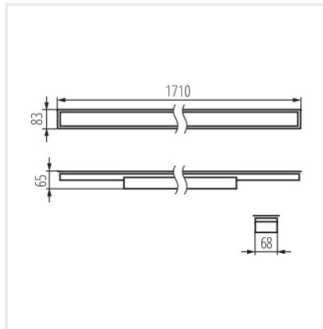
AL-LL-NW-MPR-W-PT



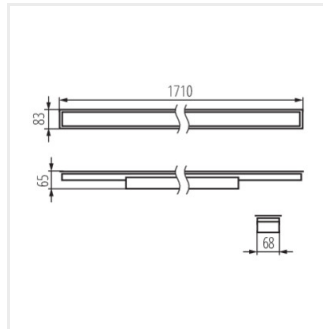
AL-LL-WW-MPR-W-PT

AL-LL-PT

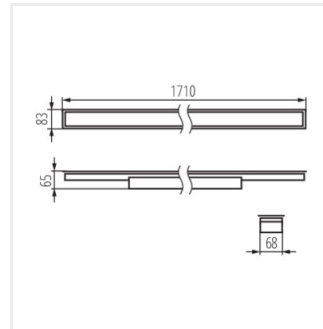
Plafoniera LED lineare



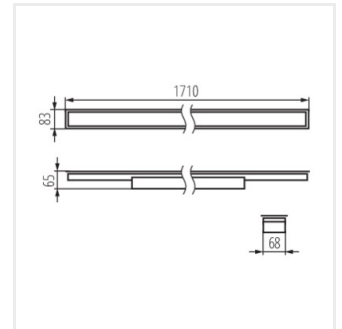
AL-LL-NW-MAT-B-PT



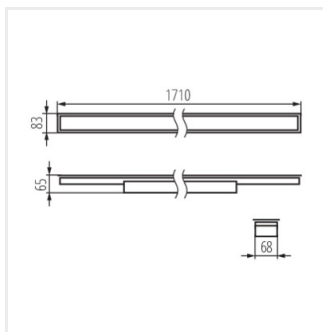
AL-LL-WW-MAT-B-PT



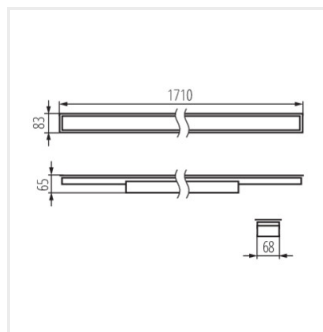
AL-LL-NW-MPR-B-PT



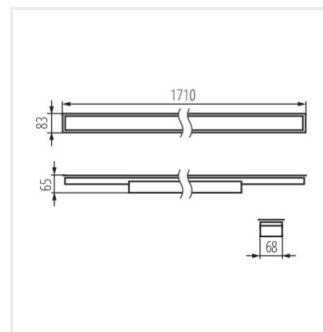
AL-LL-WW-MPR-B-PT



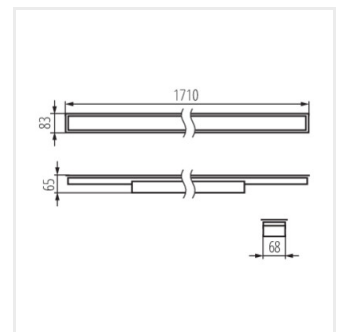
AL-LL-NW-MAT-S-PT



AL-LL-WW-MAT-S-PT



AL-LL-NW-MPR-S-PT



AL-LL-WW-MPR-S-PT