

AL-LH-PT

Plafoniera LED lineare



[V] 220-240 AC	[Hz] 50	≥ 30000	[h] 50000	ellipse $\leq 3 \times$ Macadam	Ra 80	SMD
		IP 20		[°C] 5÷25		
[mm ²] 1,5÷2,5		0,5m				



AL-LH-NW-MAT-W-PT

	[W]	Tc [K]	TYPE	[°]		[lm]	[mm]	
AL-LH-NW-MAT-W-PT	34117	52	4000	opaco	X85/Y95	bianco	6300	1710
AL-LH-WW-MAT-W-PT	34119	52	3000	opaco	X85/Y95	bianco	5600	1710
AL-LH-NW-MPR-W-PT	34121	52	4000	microprismatico	X75/Y90	bianco	5800	1710
AL-LH-WW-MPR-W-PT	34123	52	3000	microprismatico	X75/Y90	bianco	5150	1710
AL-LH-NW-MAT-B-PT	34129	52	4000	opaco	X85/Y95	nero	6300	1710
AL-LH-WW-MAT-B-PT	34131	52	3000	opaco	X85/Y95	nero	5600	1710
AL-LH-NW-MPR-B-PT	34133	52	4000	microprismatico	X75/Y90	nero	5800	1710
AL-LH-WW-MPR-B-PT	34135	52	3000	microprismatico	X75/Y90	nero	5150	1710
AL-LH-NW-MAT-S-PT	34141	52	4000	opaco	X85/Y95	argento	6300	1710
AL-LH-WW-MAT-S-PT	34143	52	3000	opaco	X85/Y95	argento	5600	1710
AL-LH-NW-MPR-S-PT	34145	52	4000	microprismatico	X75/Y90	argento	5800	1710
AL-LH-WW-MPR-S-PT	34147	52	3000	microprismatico	X75/Y90	argento	5150	1710

- 5 anni di garanzia secondo le condizioni della dichiarazione di garanzia consultabile sul sito Internet
- Materiale del corpo: metallo
- Diffusore: plastica

AL-LH-PT

Plafoniera LED lineare



AL-LH-NW-MAT-W-PT



AL-LH-WW-MAT-W-PT



AL-LH-NW-MPR-W-PT



AL-LH-WW-MPR-W-PT



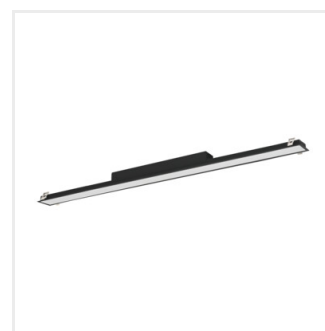
AL-LH-NW-MAT-B-PT



AL-LH-WW-MAT-B-PT



AL-LH-NW-MPR-B-PT



AL-LH-WW-MPR-B-PT

AL-LH-PT

Plafoniera LED lineare



AL-LH-NW-MAT-S-PT



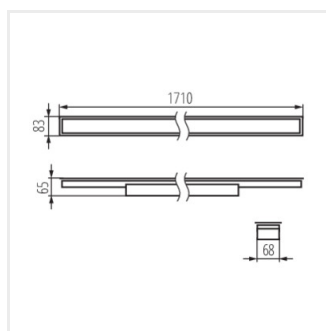
AL-LH-WW-MAT-S-PT



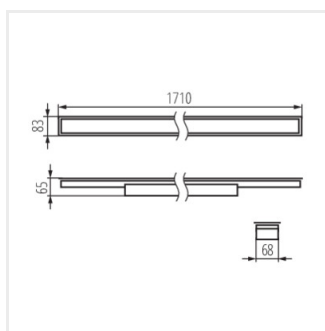
AL-LH-NW-MPR-S-PT



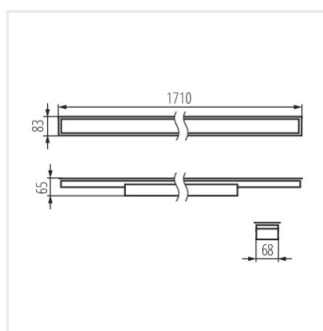
AL-LH-WW-MPR-S-PT



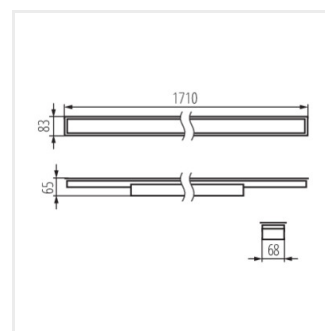
AL-LH-NW-MAT-W-PT



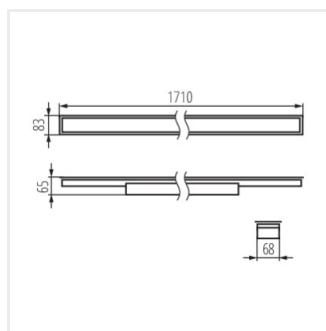
AL-LH-WW-MAT-W-PT



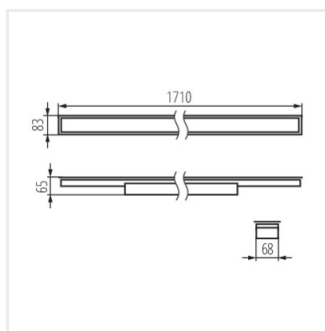
AL-LH-NW-MPR-W-PT



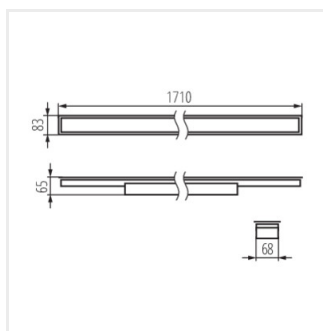
AL-LH-WW-MPR-W-PT



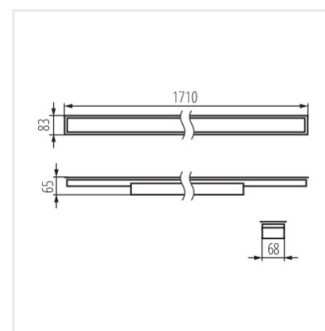
AL-LH-NW-MAT-B-PT



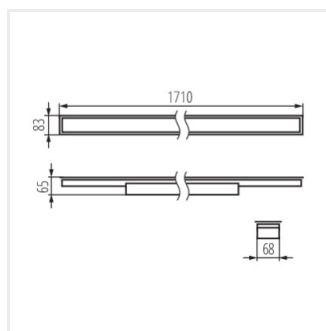
AL-LH-WW-MAT-B-PT



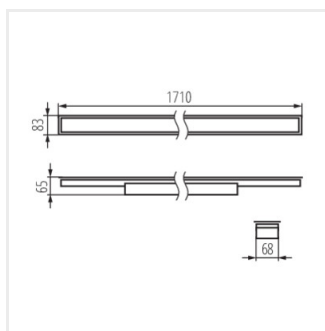
AL-LH-NW-MPR-B-PT



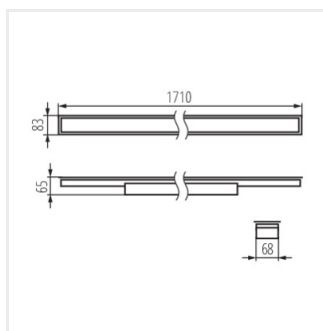
AL-LH-WW-MPR-B-PT



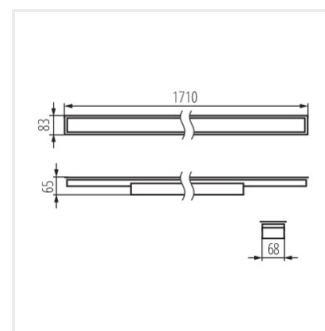
AL-LH-NW-MAT-S-PT



AL-LH-WW-MAT-S-PT



AL-LH-NW-MPR-S-PT



AL-LH-WW-MPR-S-PT